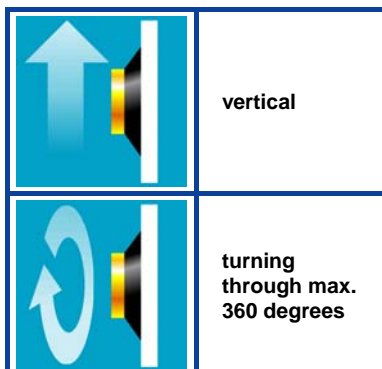
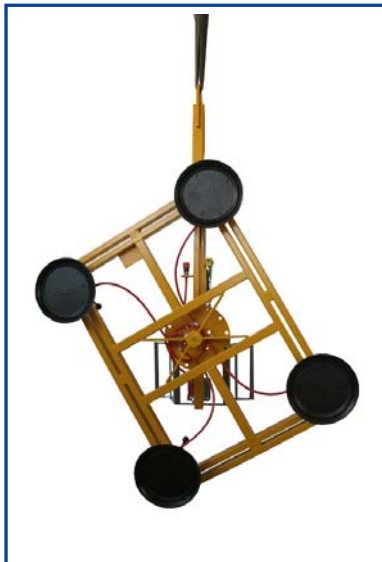
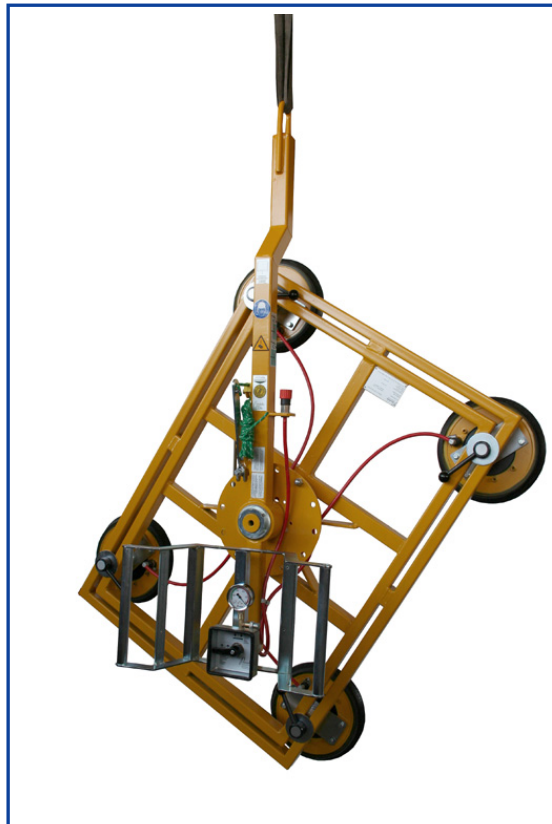


## Frame 7000-D43 SO04

**For operation on  
EC construction sites only  
permissible with  
mechanical holding device  
according to  
EN 13155**



**for planar stabilized, vertical lifting and transporting  
manual turning through  $\pm 360$  degrees**

### Description

- **1-circuit vacuum system**
- control vacuum meter on the device
- multiple row arrangement of suction cups
- suction cups fixed with movable suspension directly on the frame
- distance of suction cups can be adjusted
- all suction cups lockable individually
- turning device  
with ball bearing turning bolt and locking device every  $30^\circ$

### Vacuum Generation

- external vacuum generation necessary  
e. g. via a Pannkoke Compound Pump 7002-COMP2  
in the crane way

### Control Means

- **SUCTION/RELEASE** via hand valve at the device  
or  
via remote control  
of the vacuum generation

**Suspension:** crane eye at the suspension bar  
**Safe Working Load:** 400 kg  
**Colour:** yellow

<b>suitable for lifting</b>	
material properties	gas-tight
surface	smooth
e. g.	glass panes, insulation glass units, plastic and ceramic plates, coated boards
<b>suction cup type</b>	<b>388</b>
<b>diameter</b> in action approx. mm	300
<b>quality of suction cups</b>	black rubber abrasion possible up to 100° C heat resistant
<b>number of suction cups</b>	4
<b>outer distance from cup to cup</b> approx. mm	1000 x 1200
<b>safe working load</b> on smooth and clean surface at 60 % vacuum	kg 400
<b>suspension bar</b> approx. mm long	
<b>dead weight</b> approx. kg	
<b>vacuum infeed connection</b> quick release coupling	9 mm
<b>Item No.: 7000-D43 SO4...</b>	<b>I-0910</b>

<b>other frame sizes</b>	on request
--------------------------	------------

<b>Accessories on request</b>	
<b>Item No.: 388-SCHUTZ</b>	protection cap for suction cup 388

