

Kombi 7001-DS5

**For operation on
EC construction sites only
permissible with mechanical
holding device according to
EN 13155**



Description

- **1-circuit vacuum system**
- the vacuum circuit has a vacuum tank with nonreturn valve, vacuum switch and control vacuum meter
- **completely closed vacuum circuit**
prevents loss of vacuum at power failure
- warning lamp and acoustic signal indicate insufficient vacuum
- all suction cups lockable individually
- turning device with roller bearings and locking (+90° / 0° / -90°)
- tilting device (0° to 90°) with locking device every 15°
- maximum structural depth 270 mm
- extendable at maximum by 2 extensions
- interchangeable suction frame – can be used several times

Vacuum Generation

- built-in low maintenance vacuum pump (dry running system)
- for operation on power networks

Operation

- ON/OFF directly at the device
- SUCTION/RELEASE via hand valve at the device
optional
via remote control
- turning tackle
- tilting tackle

Suspension: crane eye at the carrying frame

Load capacity :

400 kg / 600 kg

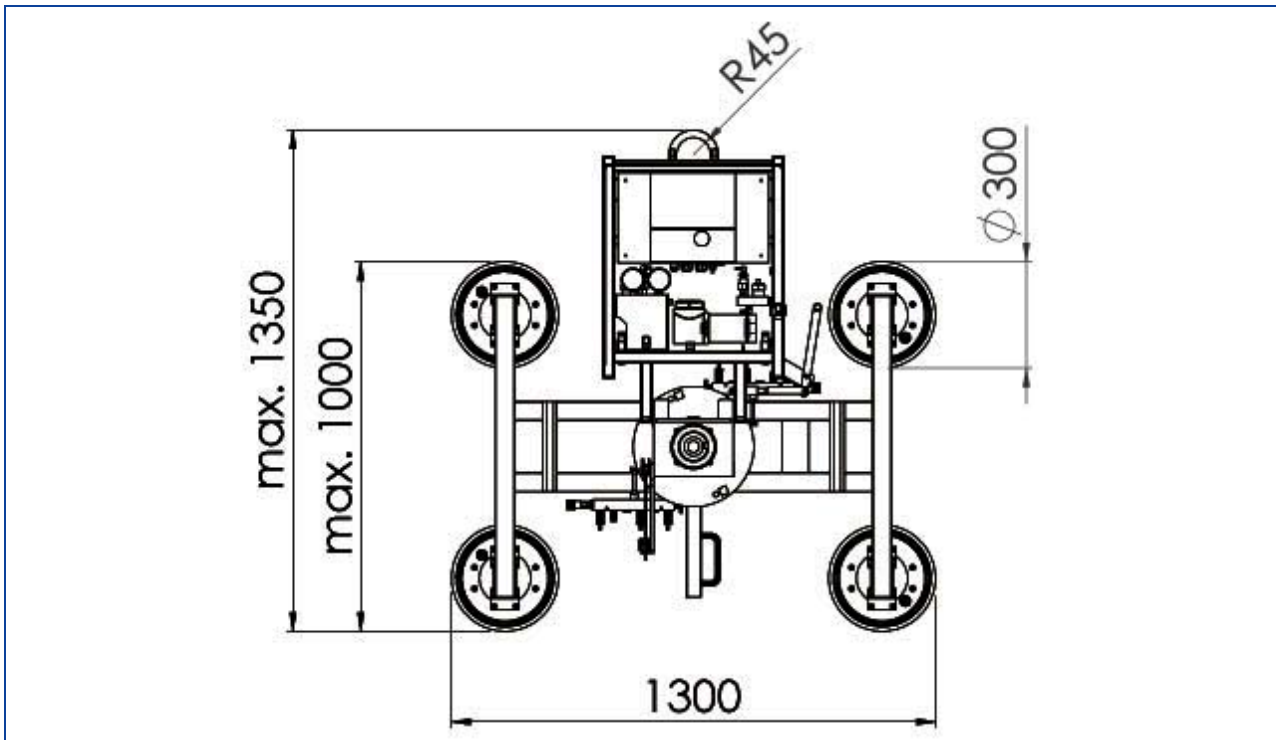
Colour:

yellow / partly zinked

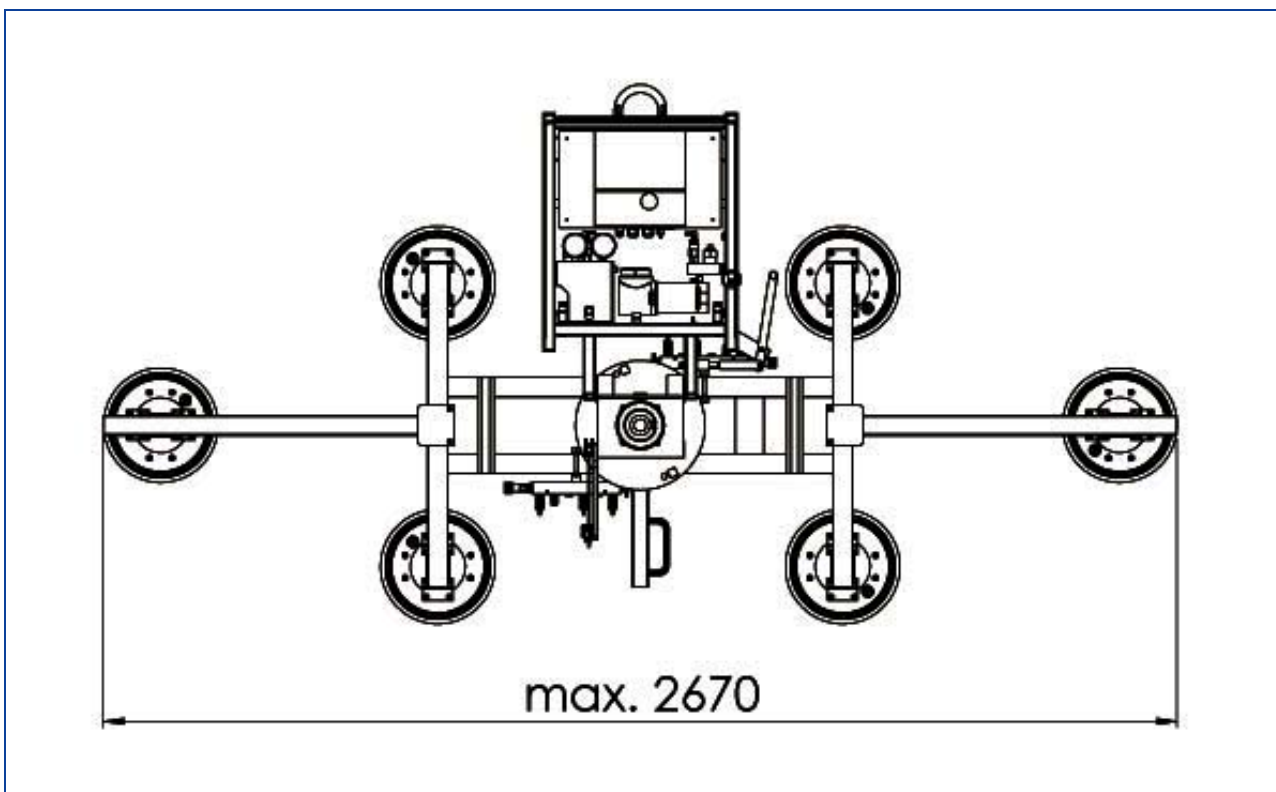
	vertical
	horizontal
	turning through +/- 90 degrees
	tilting through 90 degrees

suitable for lifting			
material properties	gas-tight		
surface	smooth		
e. g.	glass panes, sealed units, window and curtain walling elements, plastic and ceramic plates, coated boards		
suction cup type	388		488-K
diameter in action approx. mm	300		350
quality of suction cups	black rubber abrasion possible up to 80° C heat resistant from 4 mm glass thickness		rubber red abrasion possible up to 80° C heat resistant from 3 mm glass thickness
number of suction cups	6	4	4
safe working load on smooth and clean surface at 60 % vacuum on construction sites outside the EU / in-company kg	600	400	500
outer distance of the suction cup approx. mm	1300 x 660/1000	1300 x 660/1000	1350 x 710/1050
dead weight approx. kg	84	79	83
distribution voltage	230 V / 50 Hz / 1 phase		
Item No.: 7001-DS5-230...	-6	-4	-4-488
distribution voltage	110 V / 50 Hz / 1 phase		
Item No.: 7011-DS5-110...	-6	-4	-4-488
distribution voltage	110 V / 50 Hz / 1 phase		
Item No.: 7011-DS5-400...	-6	-4	-4-488
Accessories on request			
Item No.: 7003-VLDS	set extensions (2 pieces) – approx. 750 mm		
Item No.: 388-SCHUTZ	protection cap for suction cup 388		
Item No.: 488-SCHUTZ	protection cap for suction cup 488		
Item No.: 7003-GTW2	transport carriage for Kombi 7011-DS5 / 7211-DS5		
Item No.: 7003-GTWDS5	transport carriage for Kombi 7011-DS5 / 7211-DS5		
Item No.: 7003-WSPDS5	rain cover for transport carriage including Kombi 7001-DS5		
Item No.: 7003-KB-2K	cable remote control SUCTION / RELEASE		
Item No.: 7003-IFB-2K	infrared remote control SUCTION / RELEASE		
Item No.: 7003-FB-SL-2K	radio remote control SUCTION / RELEASE		
Item No.: OPT-388TR	device equipped with : mark-free suction cups for coated glass		
Item No.: OPT-388K	device equipped with : Softer suction cup for thinner glass		

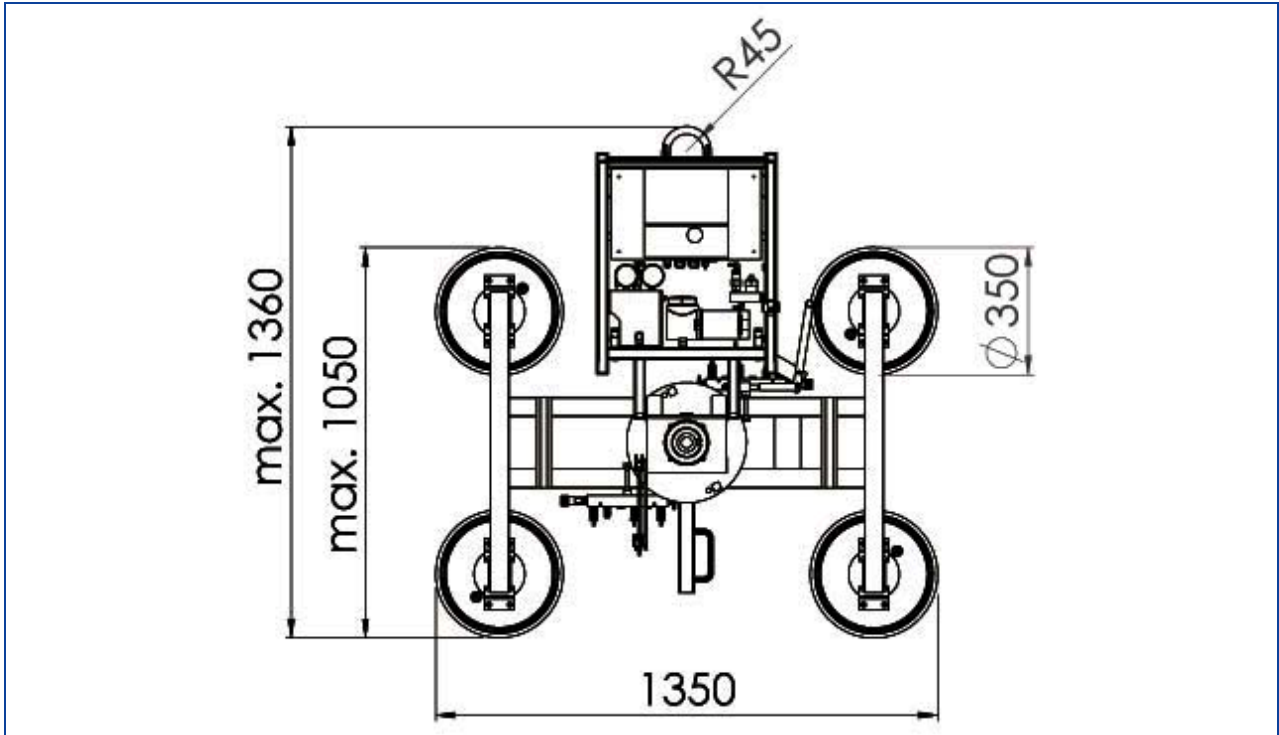
Kombi 7001-DS5 with 4 suction cups 388



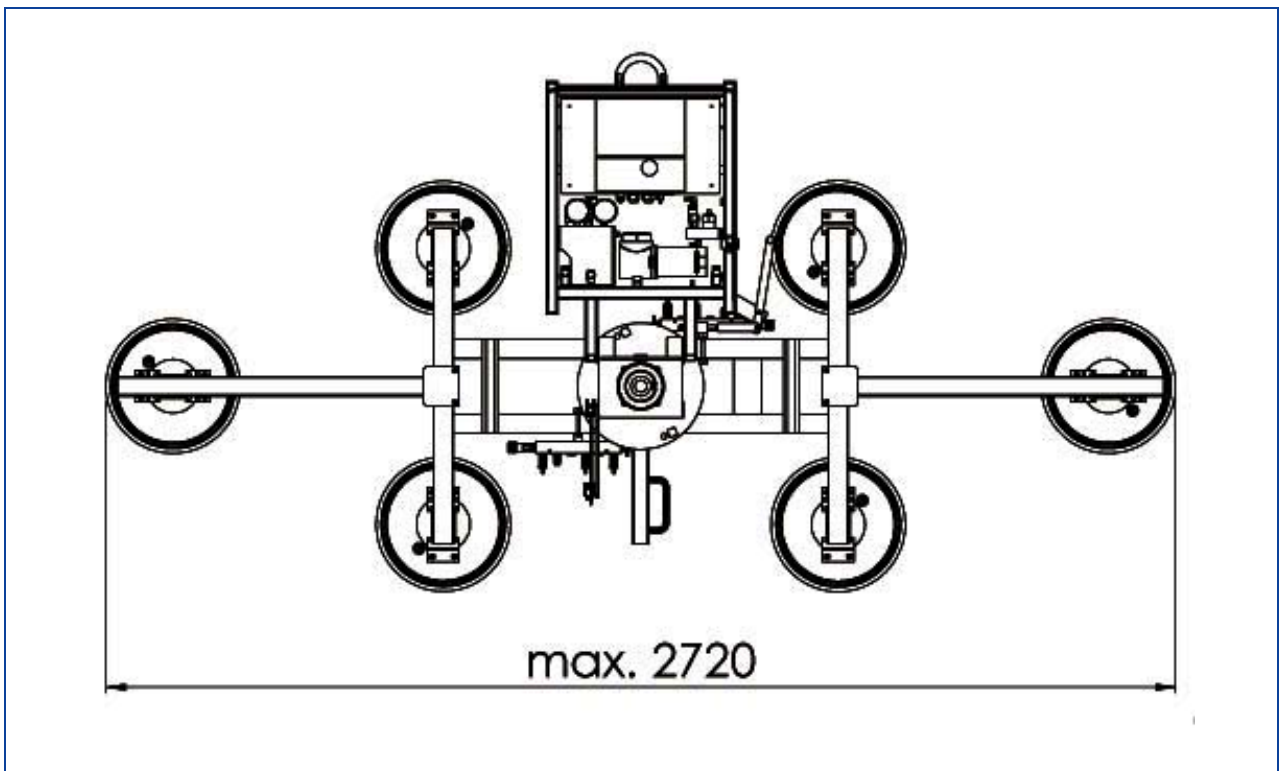
Kombi 7001-DS5 with 4 suction cups 388 and 2 extensions



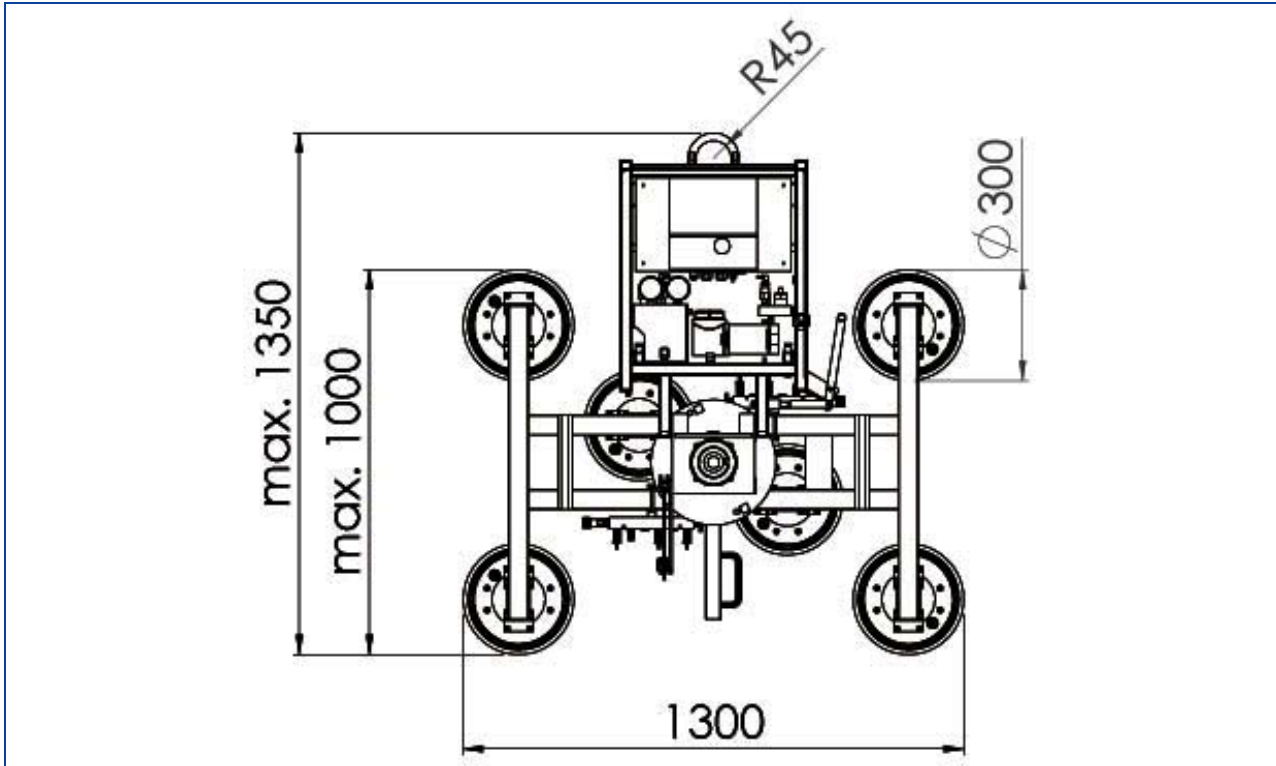
Kombi 7001-DS5 with 4 suction cups 488-K



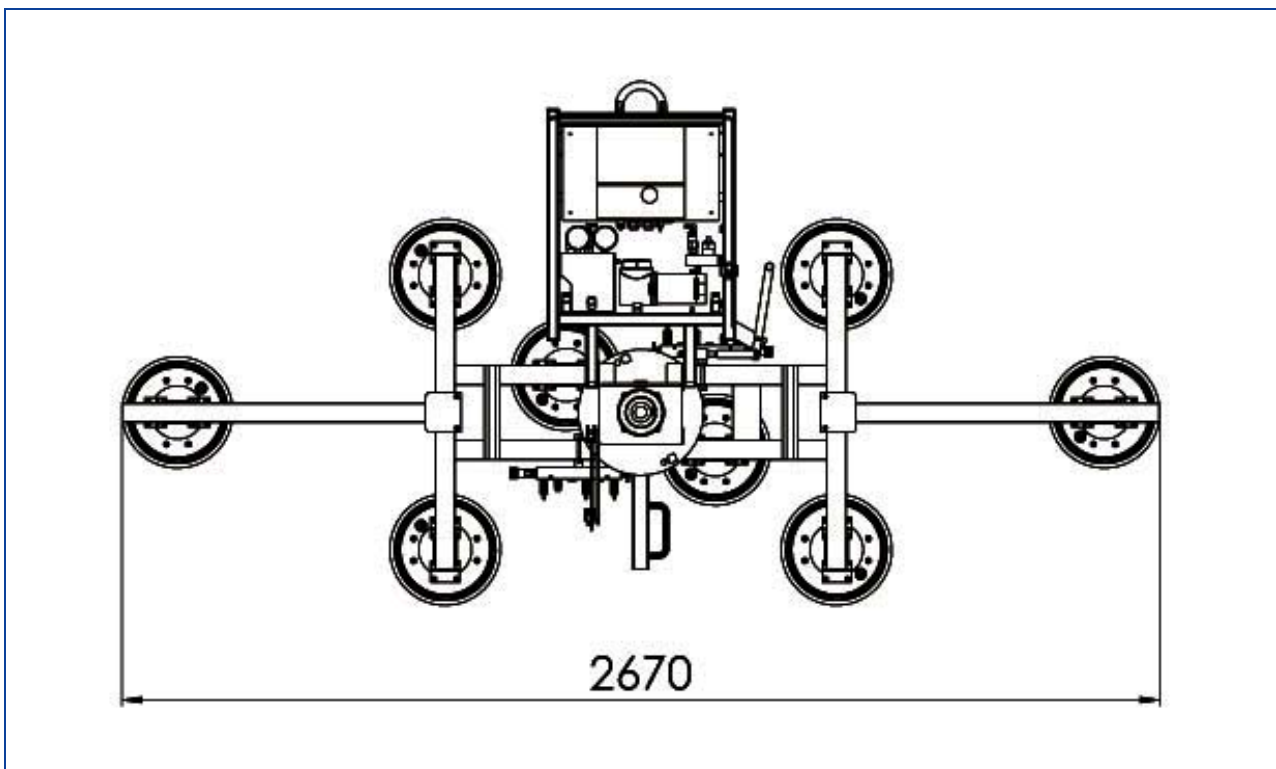
Kombi 7001-DS5 with 4 suction cups 488-K and 2 extensions



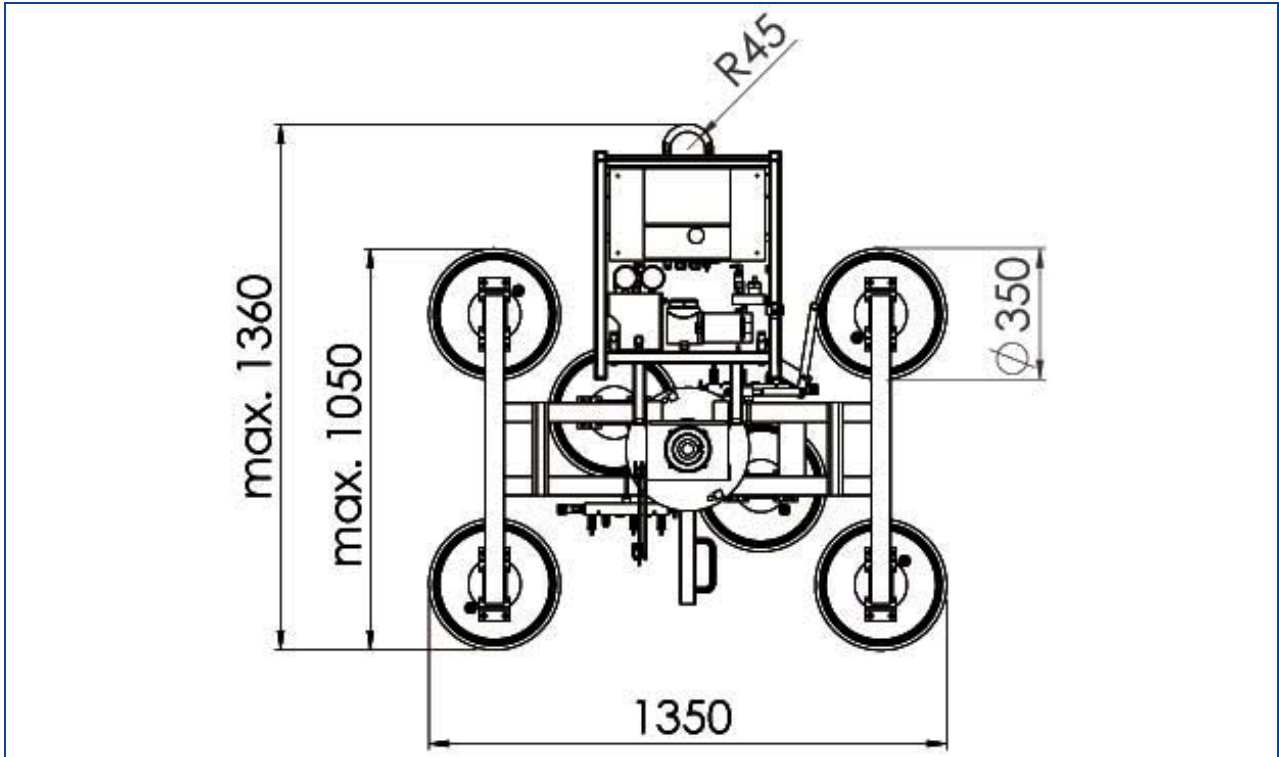
Kombi 7001-DS5 with 6 suction cups 388



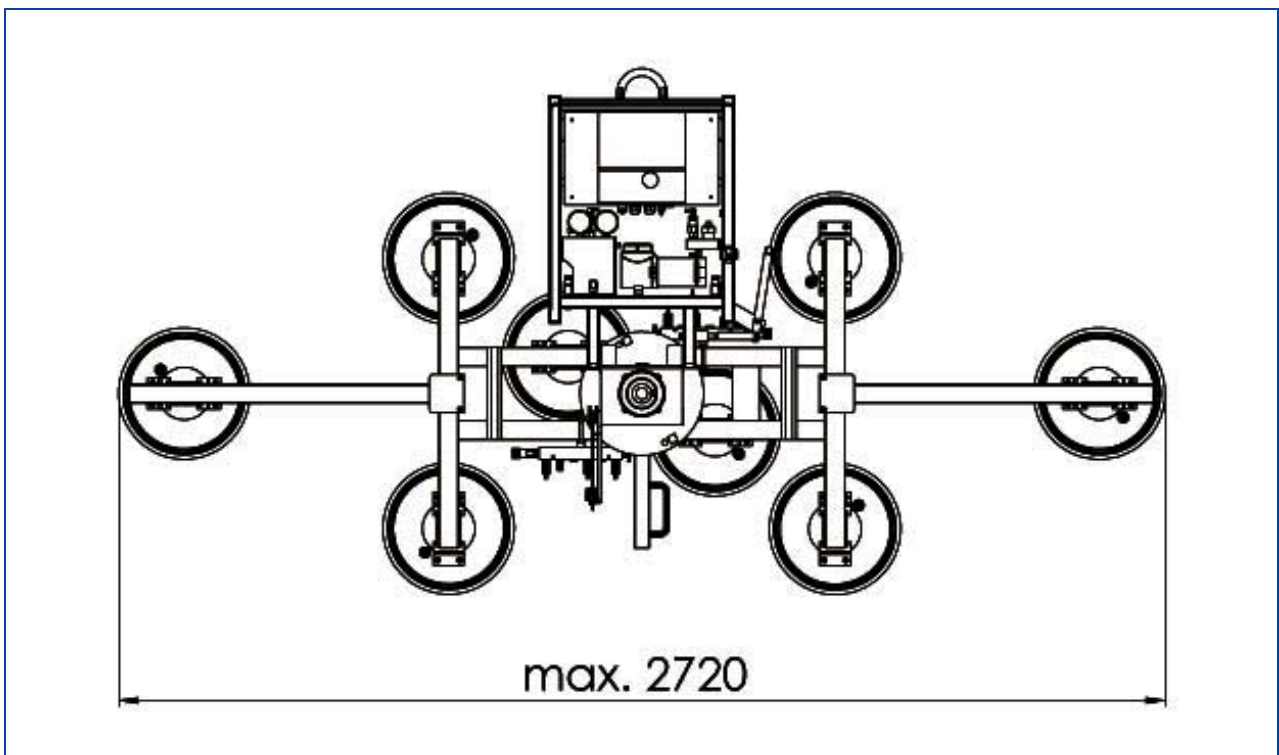
Kombi 7001-DS5 with 6 suction cups 388 and 2 extensions



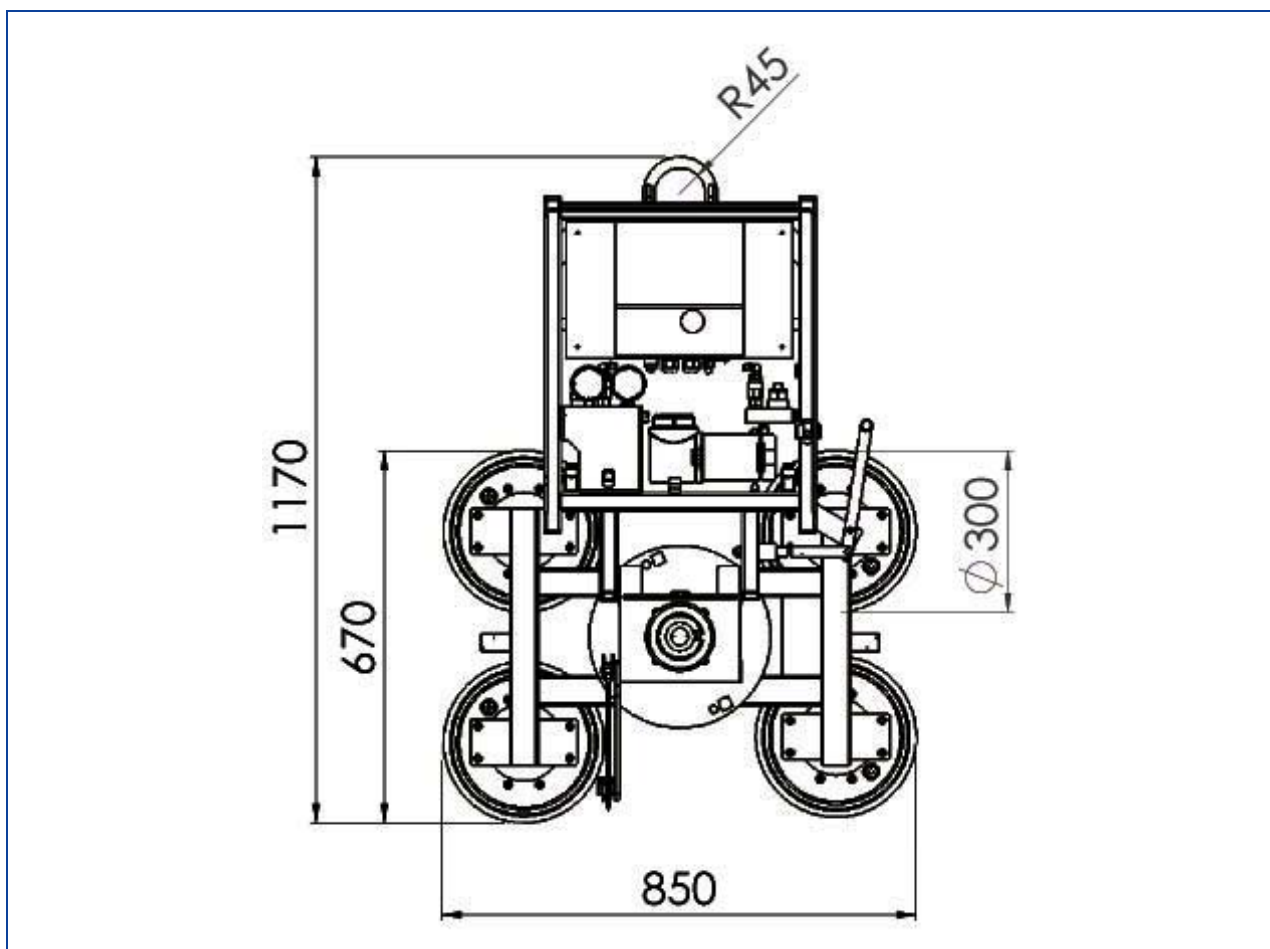
Kombi 7001-DS5 with 6 suction cups 488-K



Kombi 7001-DS5 with 6 suction cups 488-K and 2 extensions



Kombi 7001-DS5 with 4 suction cups 388 and a special suction frame



Kombi 7001-DS5 with 4 suction cups 488
and a special suction frame

