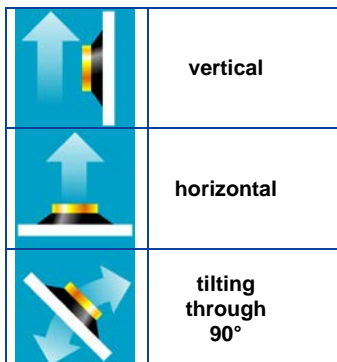
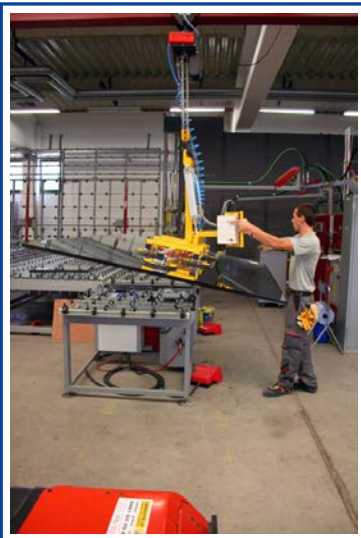


## Manipulation Device 7025-MS4/E

1-circuit vacuum lifting  
device according to  
EN 13155



### Description

- **1 circuit vacuum system**
- the vacuum circuit has a vacuum tank with non-return valve, vacuum switch and control vacuum meter
- **completely closed vacuum circuit**  
prevents loss of vacuum at compressed air failure
- **power failure monitoring system**
- acoustic signal  
reports insufficient vacuum/drop in air pressure
- all suction cups lockable individually
- extendable at maximum by 4 extensions
- stepless tilting through 90°  
with pneumatic cylinder
- length adjustable operating handle
- holder for crane switch

### Vacuum generation

- via built-in suction jet (Venturi)  
for operation at least 6 bars compressed air are necessary
- optional air pressure switching
- optional quick-release function

### Operation

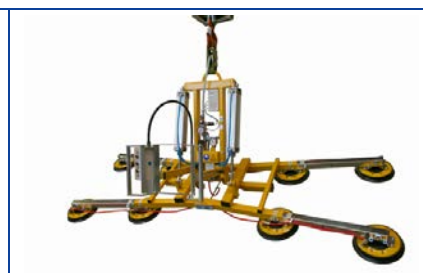
- ON/OFF directly at the device
- SUCTION via a touch valve
- RELEASE via two touch valves
- TILTING via two touch valves

**Suspension:** crane eye at the carrying frame

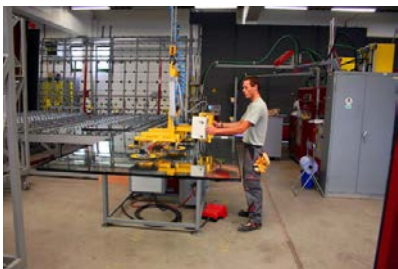
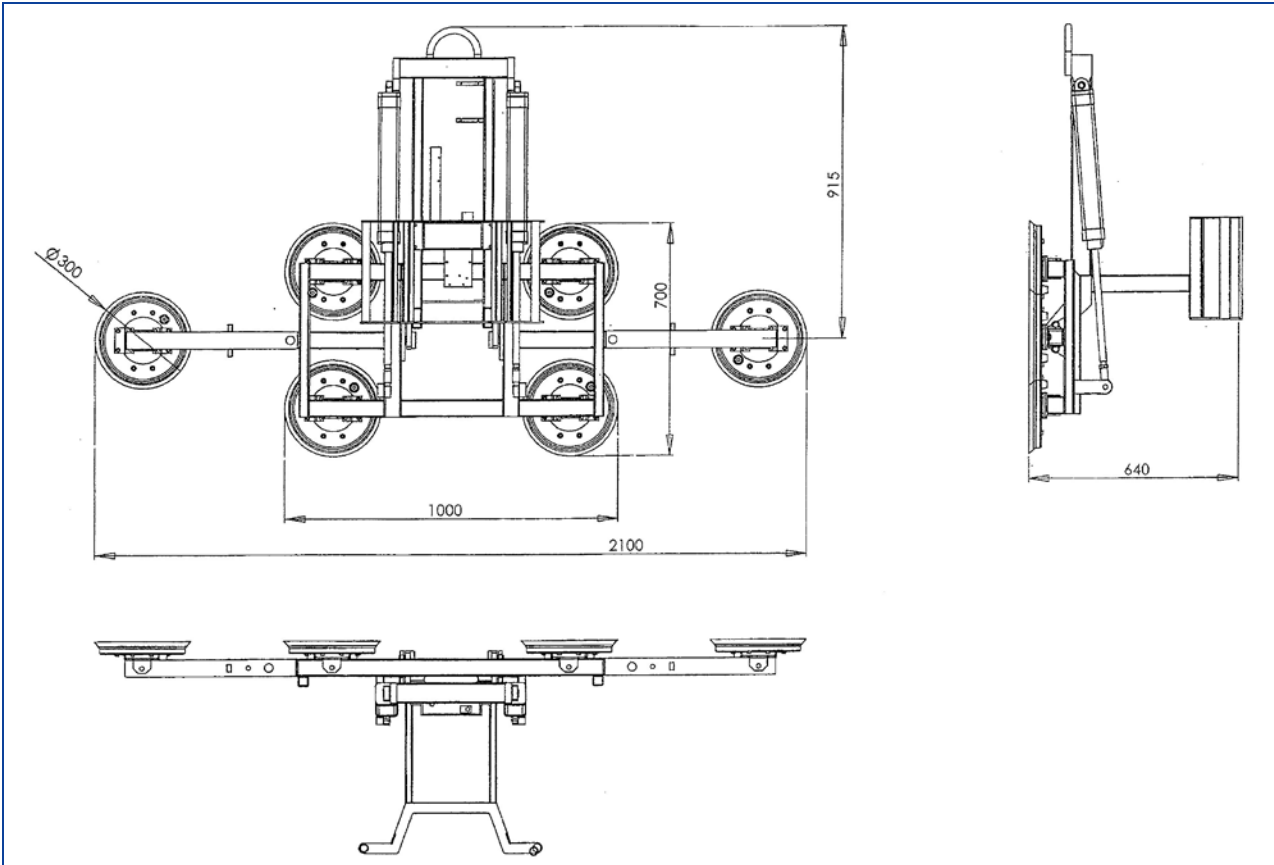
**Load capacity :** 350 kg / 500 kg

**Colour:** yellow / partly zinked

<b>suitable for lifting</b>		
material properties	gas-tight	
surface	smooth	
e. g.	glass panes, sealed units, window and curtain walling elements, plastic and ceramic plates, coated boards	
<b>suction cup type</b>	<b>488-K</b>	<b>388</b>
<b>diameter</b> in action approx. mm	350	300
<b>quality of suction cups</b>	rubber red abrasion possible up to 80° C heat resistant from 3 mm glass thickness	black rubber abrasion possible up to 80° C heat resistant from 4 mm glass thickness
<b>number of suction cups</b>	4	4
<b>safe working load</b> on smooth and clean surface at 60 % vacuum <b>in-company</b> kg	500	350
<b>outer distance of the suction cups</b> approx. mm with 2 extensions approx. mm with 4 extensions approx. mm	1050 x 750 2150 x 750 2150 x 750	1000 x 700 2100 x 700 2100 x 700
<b>dead weight</b> approx. kg		
<b>air pressure connection</b>	9 mm	
<b>Item No.: 7025-MS4/E...</b>	<b>488</b>	<b>388</b>
<b>Accessories on request</b>		
<b>Item No.: OPT-DLSpar</b>	air pressure saving switching – saves approx. 50% of the air pressure consumption	
<b>Item No.: OPT-SLF</b>	quick-release function – with full pressure supply	
<b>Item No.: OPT-388TR</b>	device equipped with : mark-free suction cups for coated glass	
<b>Item No.: OPT-388K</b>	device equipped with : softer suction cup for thinner glass	
<b>Item No.: 7003-ASH5075</b>	spacer for suction cup holder - 50 mm or 75 mm more distance	
<b>Item No.: 7003-MD4-2</b>	set extensions (lengthwise – 2 pieces)	
<b>Item No.: 7003-MD4-4</b>	set extensions (diagonal – 4 pieces)	



## Manipulation Device 7025-MS4/E with suction cup 388 and 2 extensions



## Manipulation Device 7025-MS4/E in a custom version

