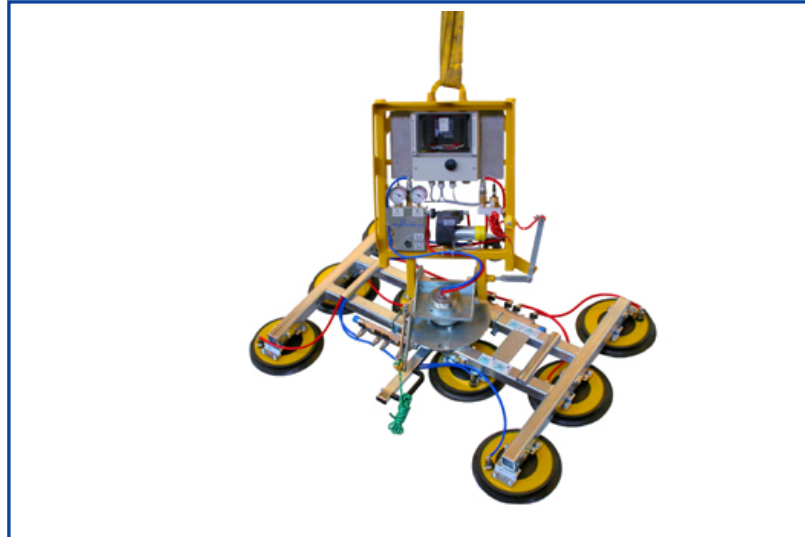


Accu-Device Kombi 7211-DS5-2012

Developed for construction
site use within the EU
according to EN 13155



Description

- **increased safety via 2 independent vacuum circuits**
- each vacuum circuit has a vacuum tank with non-return valve, vacuum switch and control vacuum meter
- **2 completely closed vacuum circuits**
prevent loss of vacuum at power failure
- acoustic signal indicates insufficient vacuum
- all suction cups lockable individually
- turning device with roller bearings and locking (+90° / 0° / -90°)
- tilting device (0° to 90°) with locking device every 15°
- maximum structural depth 270 mm
- extendable at maximum by 2 extensions
- interchangeable suction frame – can be used several times





Vacuum generation

- built-in low maintenance rechargeable battery vacuum pump (dry running system)
- for battery operation with quick-change device for short battery change times of less than one minute
- battery charger for charging second battery
- no cable - no hose

Operation

- ON/OFF directly at the device
- SUCTION/RELEASE via hand valve at the device
optional
via remote control
- TURNING tackle
- TILTING tackle

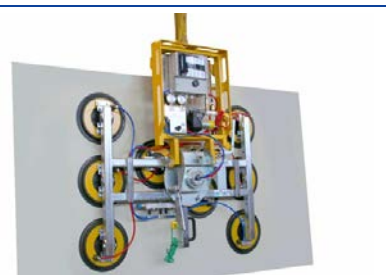
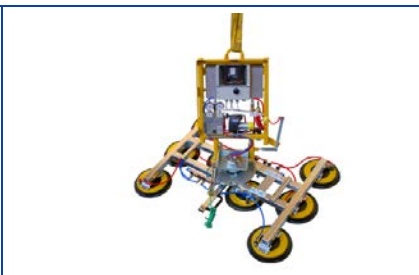
Suspension: crane eye at the carrying frame
Load capacity : 250 kg / 600 kg
Colour: yellow / partly zinked

	vertical
	horizontal
	turning through +/- 90°
	tilting through 90°

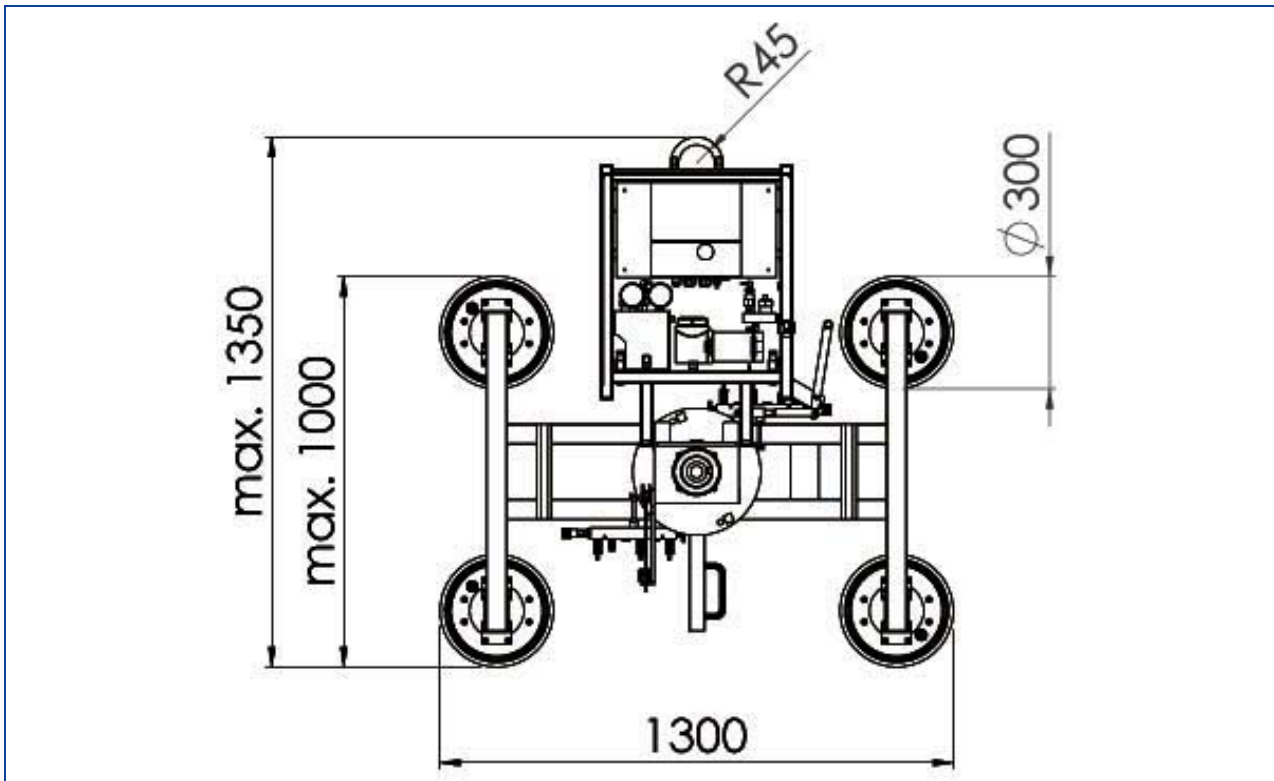
suitable for lifting				
material properties	gas-tight			
surface	smooth			
e. g.	glass panes, sealed units, window and curtain walling elements, plastic and ceramic plates, coated boards			
suction cup type	388			
diameter in action approx. mm	300			
quality of suction cups	black rubber abrasion possible up to 80° C heat resistant from 4 mm glass thickness			
number of suction cups	2 x 6	2 x 5	2 x 4	2 x 3
safe working load on smooth and clean surface at 60 % vacuum				
at EC sites kg	600	500	400	300
in-company kg	600	600	600	600
outer distance of the suction cups approx. mm	1300 x 1000	1300 x 1000	1300 x 1000	1300 x 660/1000
dead weight approx. kg				
distribution voltage charger for battery	110 - 230 V / 50/60 Hz / 1 phase			
Item No.: 7211-DS5-2012...	-12	-10	-08	-06
suction cup type	488-K			
diameter in action approx. mm	350			
quality of suction cups	rubber red abrasion possible up to 80° C heat resistant from 3 mm glass thickness			
number of suction cups	2 x 3		2 x 2	
safe working load on smooth and clean surface at 60 % vacuum				
at EC sites kg	400		300	
in-company kg	600		600	
outer distance of the suction cups approx. mm	1350 x 710/1050		1350 x 710/1050	
dead weight approx. kg				
distribution voltage charger for battery	110 - 230 V / 50/60 Hz / 1 phase			
Item No.: 7211-DS5-2012...	-08		-06	

Accessories on request

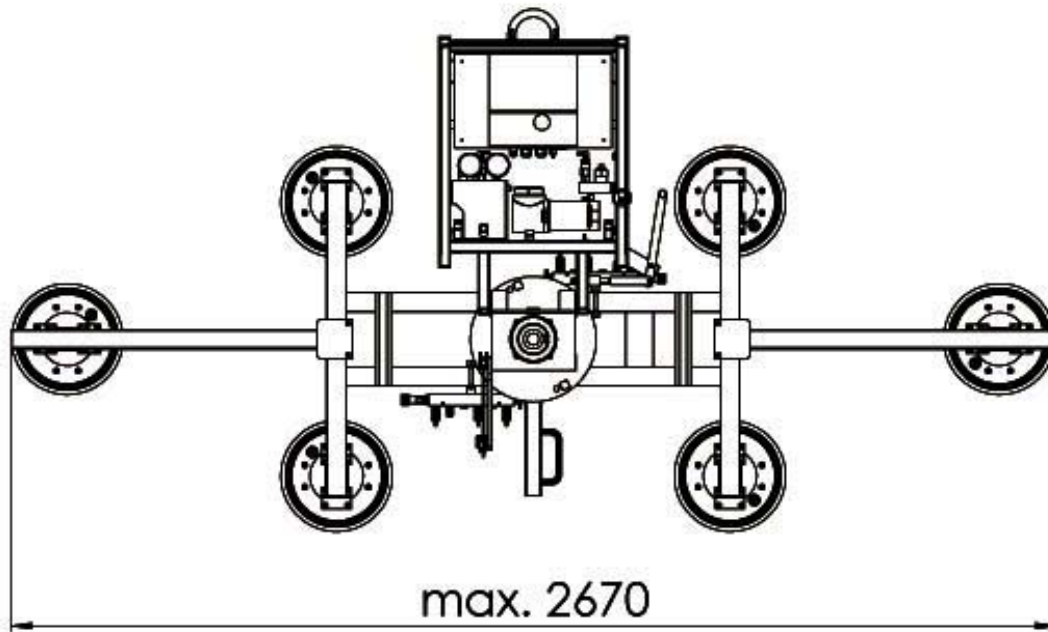
Item No.: 7003-VLDS	set extensions (2 pieces) – approx. 750 mm
Item No.: 388-SCHUTZ	protection cap for suction cup 388
Item No.: 488-SCHUTZ	protection cap for suction cup 488
Item No.: 7003-GTW2	transport carriage for Kombi 7011-DS5 / 7211-DS5
Item No.: 7003-GTWDS5	transport carriage for Kombi 7011-DS5 / 7211-DS5
Item No.: 7003-WSPDS5	rain cover for transport carriage including Kombi 7211-DS5
Item No.: 7003-KB-2K	cable remote control SUCTION / RELEASE
Item No.: 7003-FB-SL-2K	radio remote control SUCTION/RELEASE



Kombi 7211-DS5-2012 with 4 suction cups 388

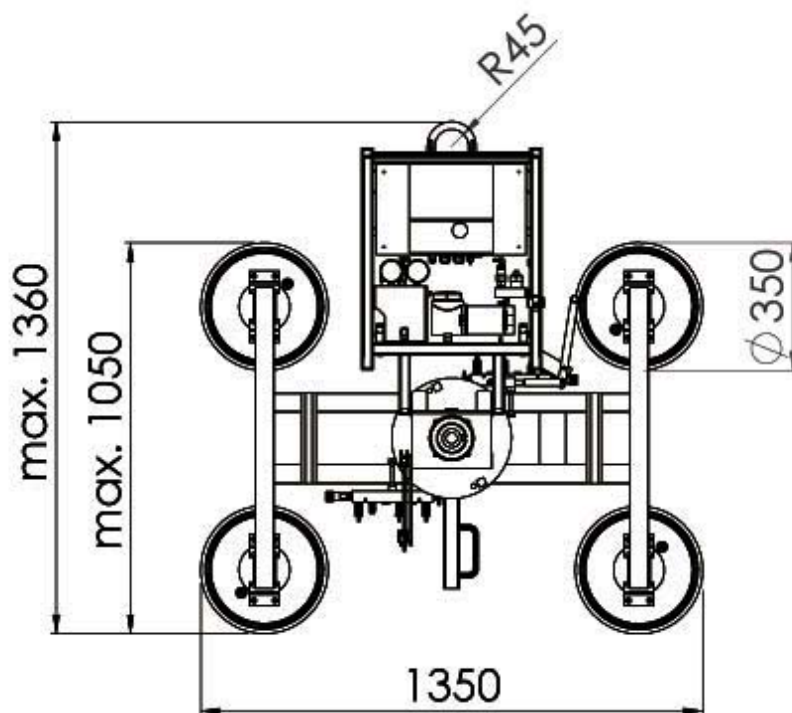


Kombi 7211-DS5-2012 with 4 suction cups 388 and 2 extensions

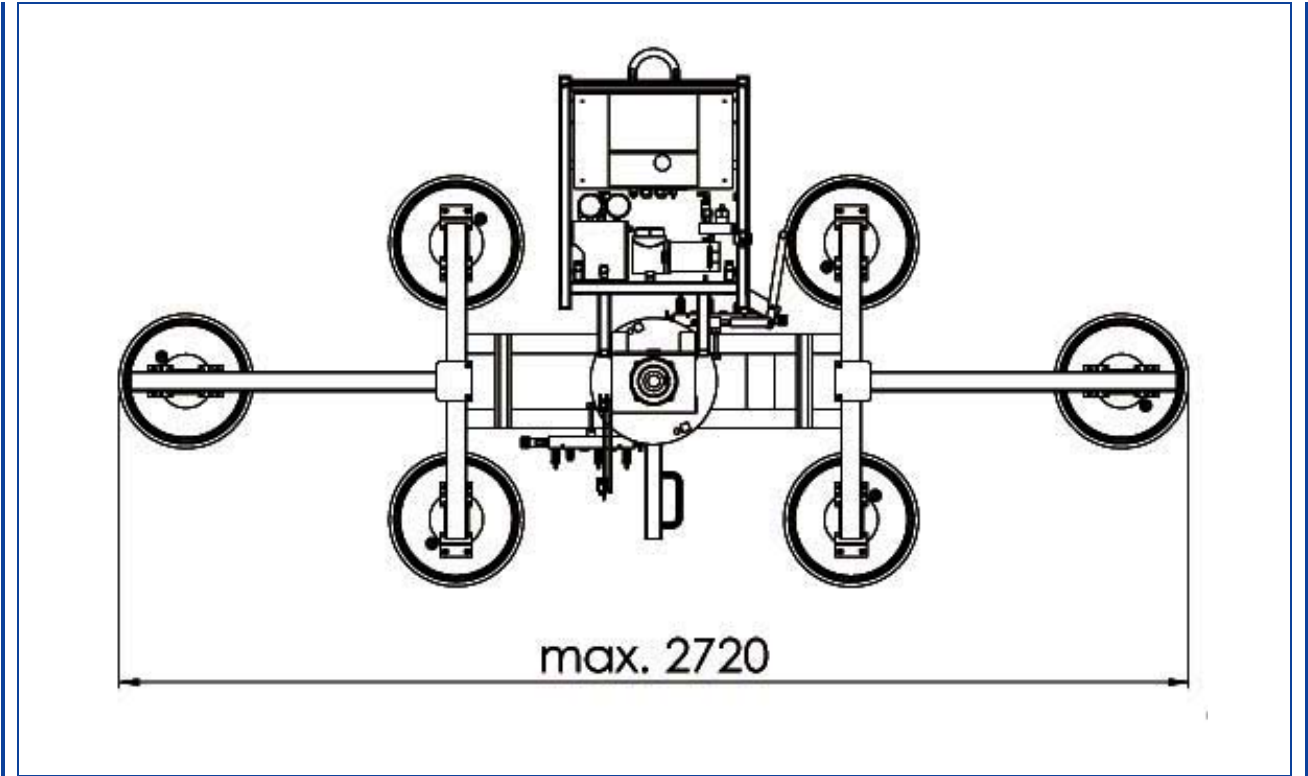


Pannkoke
 Flachglastechnik GmbH

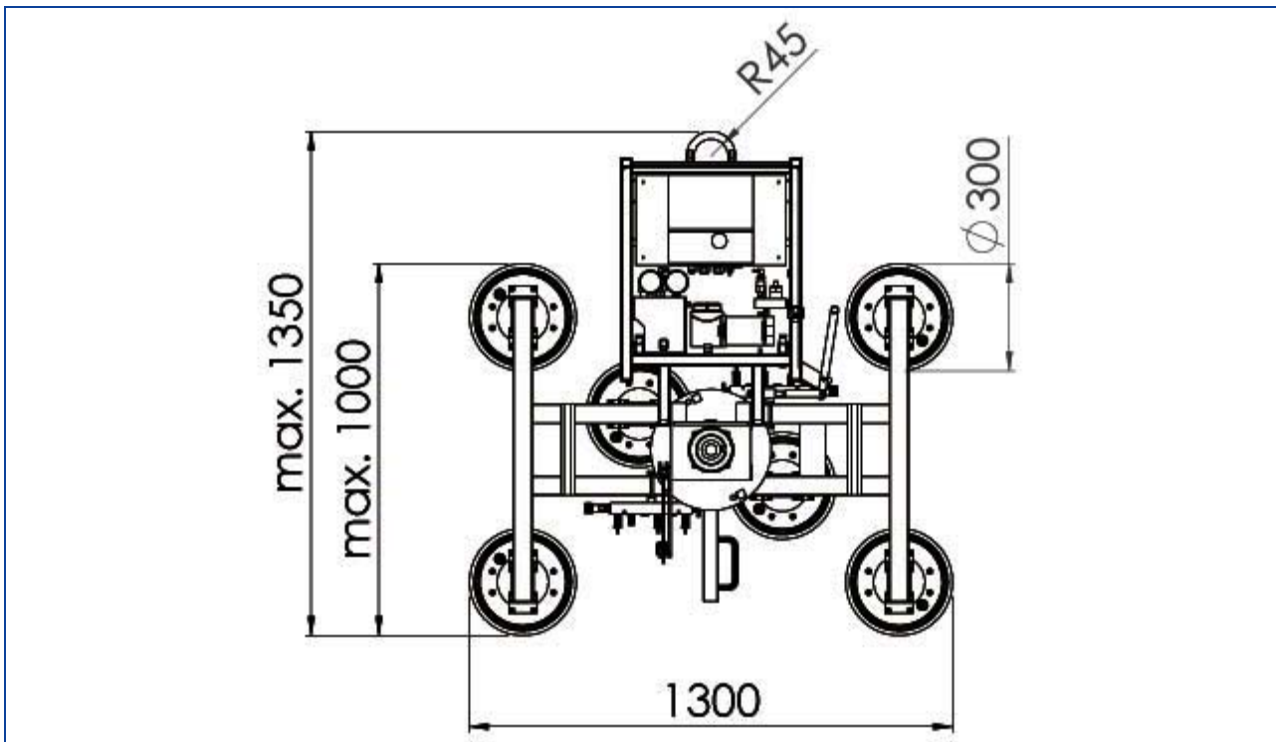
Kombi 7211-DS5-2012 with 4 suction cups 488-K



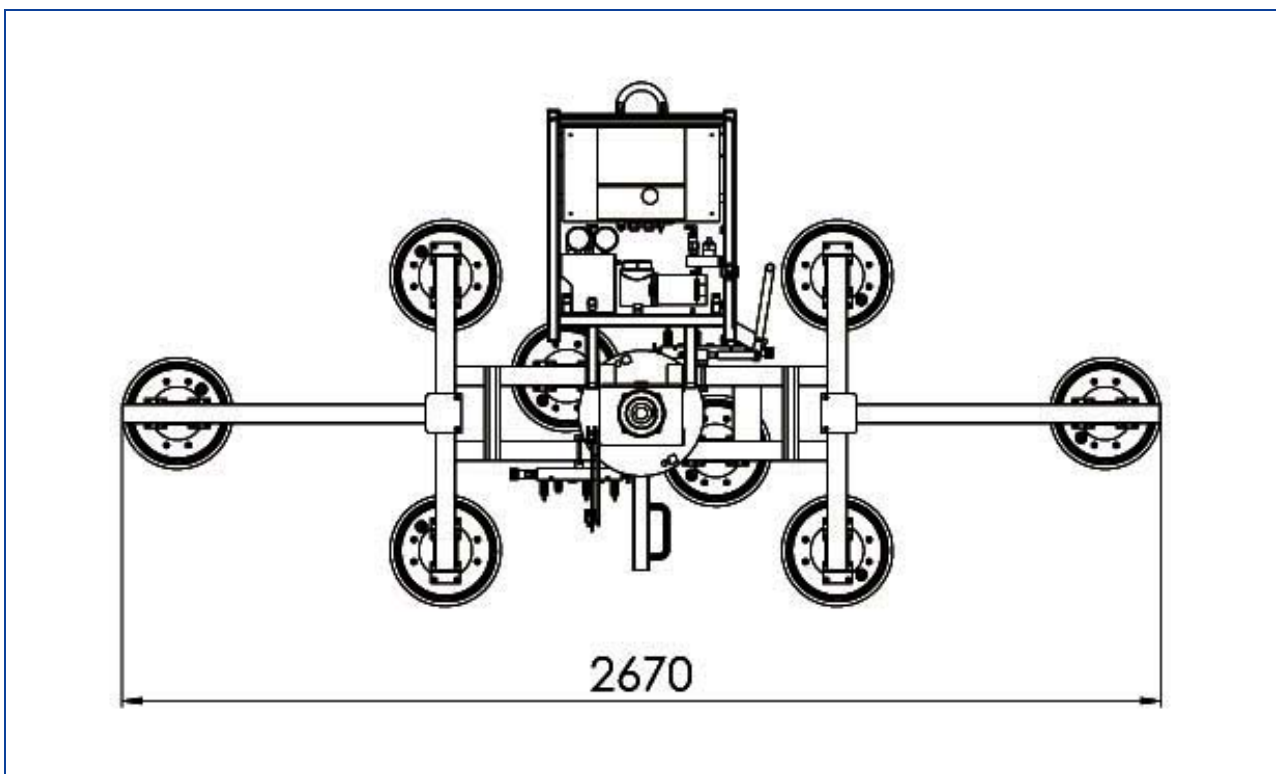
Kombi 7211-DS5-2012 with 4 suction cups 488-K and 2 extensions



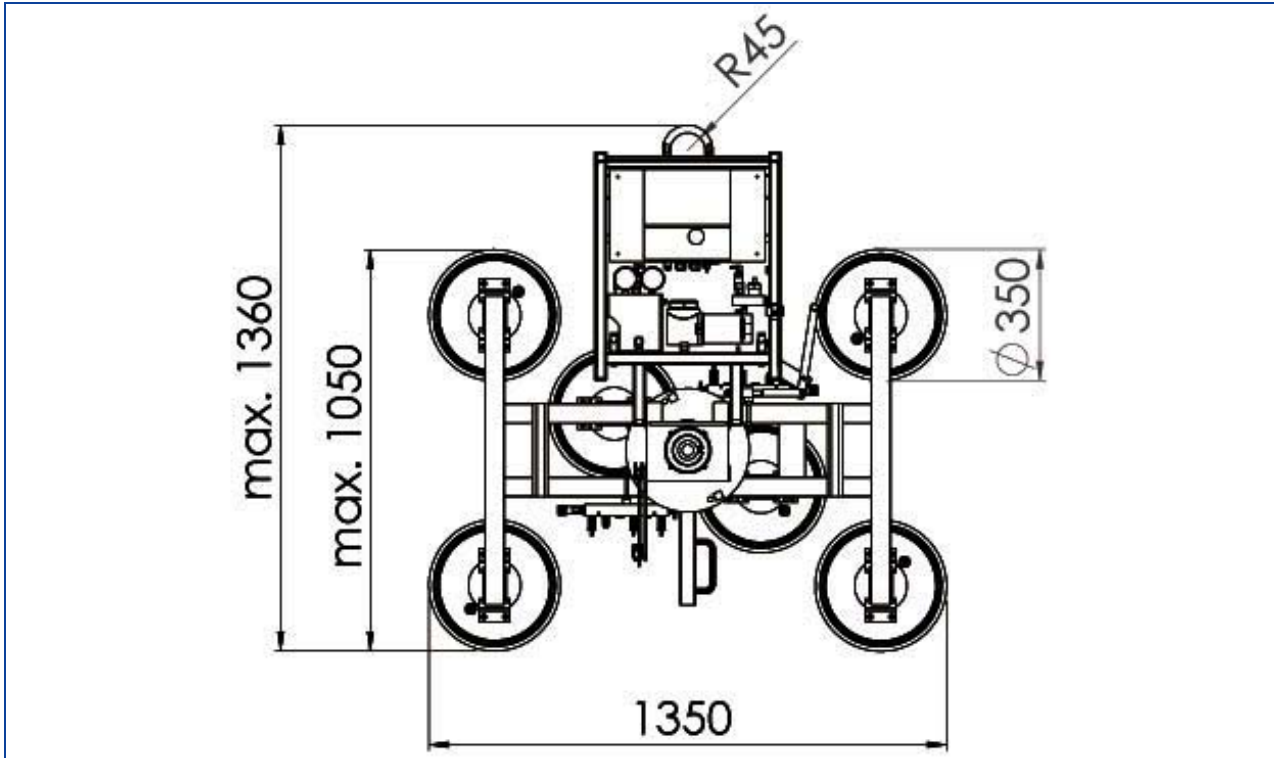
Kombi 7211-DS5-2012 with 6 suction cups 388



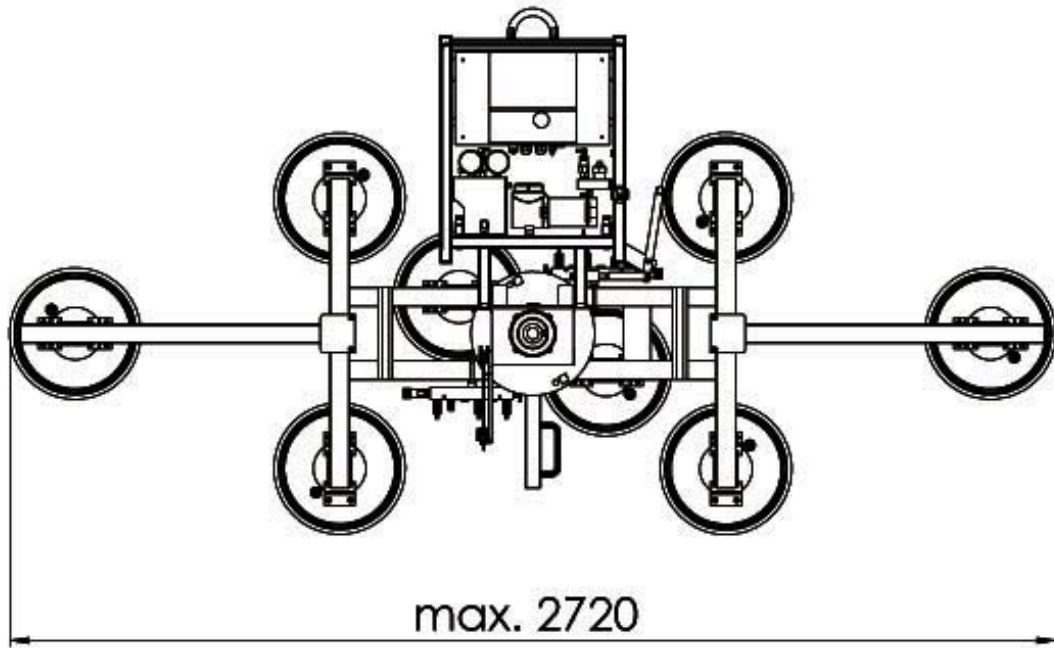
Kombi 7211-DS5-2012 with 6 suction cups 388 and 2 extensions



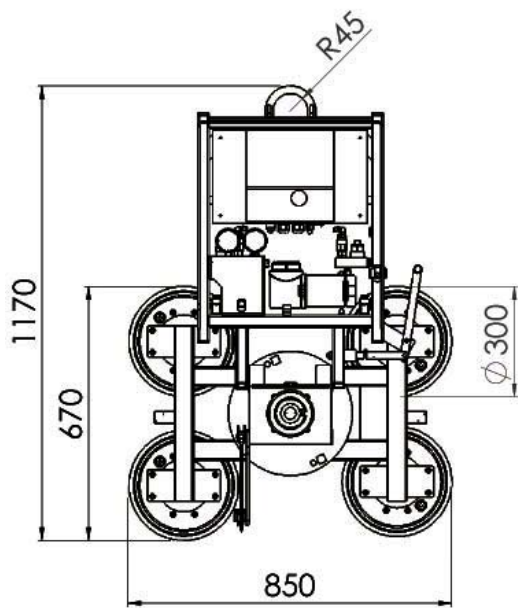
Kombi 7211-DS5-2012 with 6 suction cups 488-K



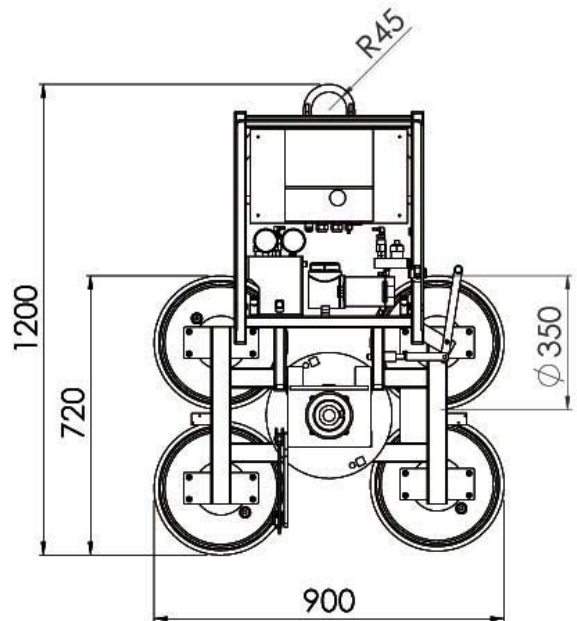
Kombi 7211-DS5-2012 with 6 suction cups 488-K and 2 extensions



Kombi 7211-DS5-2012 with 4 suction cups and a special suction frame



with suction cups 388



with suction cups 488-K

