

Accu-Device Kombi 7211-DS3-2012

Developed for construction
site use within the EU
according to EN 13155



Description

- **increased safety via 2 independent vacuum circuits**
- each vacuum circuit is equipped with a vacuum tank with non-return valve, vacuum switch and control vacuum meter
- **2 completely closed vacuum circuits**
prevent loss of vacuum at power failure
- warning lamp and acoustic signal indicate insufficient vacuum
- extendable to 2 x 10 suction cups with extensions
- all suction cups lockable individually
- turning device with roller bearings and locking (+90° / 0° / -90°)
Standard: +/- 135°
- tilting device (0° to 90°) with locking device every 3°
- **maximum structural depth 230 mm**
- extendable at maximum by 6 extensions

Vacuum generation


- built-in low maintenance accumulator vacuum pump (dry running system)
- for battery operation with quick-change device for short battery change times of less than one minute
- battery charger for charging second battery
- no cable - no hose

Operation

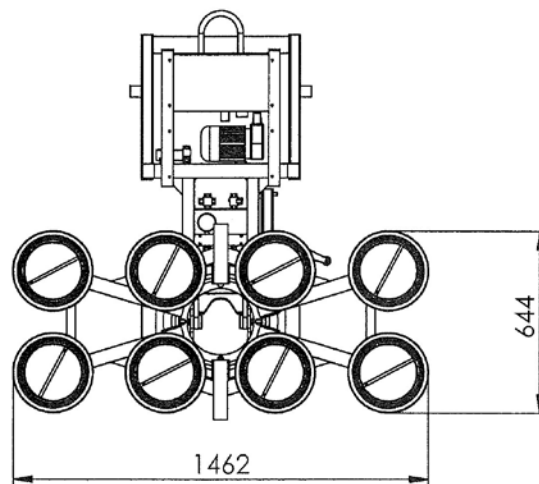
- ON/OFF directly at the device
- SUCTION/RELEASE via hand valve at the device
- optional via remote control
- turning tackle
- TILTING tackle

Suspension: crane eye at the carrying frame
Carrying capacity: 400 kg / 1000 kg
Colour: yellow / partly zinked

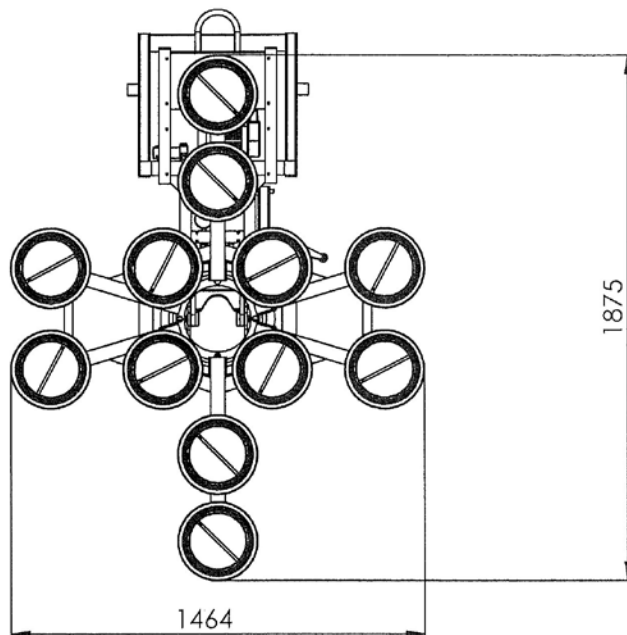
	vertical
	horizontal
	turning through +/- 135° Option: +/- 360°
	tilting through 90°

suitable for lifting				
material properties	gas-tight			
surface	smooth			
e.g.	glass panes, insulation glass units, window elements, curtain walling elements, plastic and ceramic plates, coated boards			
suction cup type	388			
diameter in action approx. mm	300			
quality of suction cups	black rubber abrasion possible up to 80° C heat resistant from 4 mm glass thickness			
number of suction cups	2 x 4	2 x 6	2 x 8	2x 10
number of extensions	0	2	4	6
safe working load on smooth and clean surface at 60 % vacuum				
at EC construction sites	kg	400	600	800
in-company	kg	800	900	1000
outer distance of the suction cups approx. mm	650 x 1470	1880 x 1470	1010 x 2660	1880 x 2660
dead weight approx. kg				147
distribution voltage charger for battery	110 - 230 V / 50/60 Hz / 1 phase			
Item No.: 7211-DS3-2012...	-4&0	-4&2	-4&4	-4&6
Accessories on request				
Item No.: OPT-DDF2	device option double rotary transmission leadthrough for turning +/- 360°			
Item No.: 388-SCHUTZ	protection cap for suction cup 388			
Item No.: 7003-GTWDS3	transport carriage for Kombi 7011-DS3-2012 / 7211-DS3-2012			
Item No.: 7003-WSP	rain cover for transport carriage including Kombi DS3-2012			
Item No.: 7003-KB-2K	cable remote control SUCTION / RELEASE			
Item No.: 7003-FB-SL-2K	radio remote control SUCTION/RELEASE			
Item No.: 7203-DSG3-2012	conversion kit for curved materials (2 x 11 x suction cups 540 / 350 kg)			
				

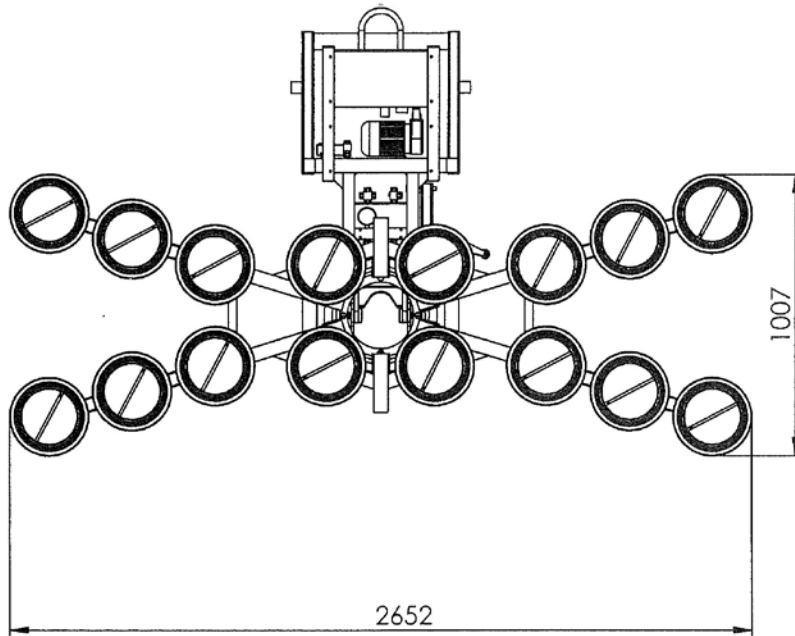
**Kombi 7211-DS3-2012
with suction cups 388**



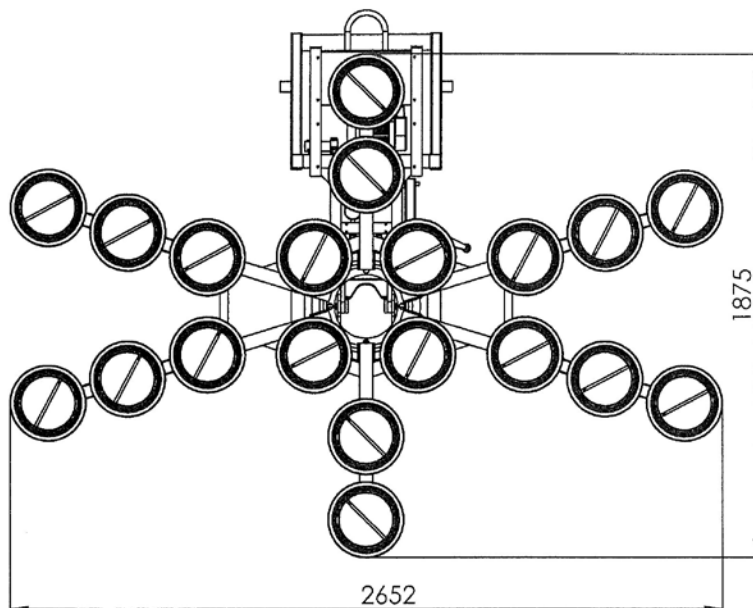
**Kombi 7211-DS3-2012 with 2 extensions
each extension with two suction cups 388**



Kombi 7211-DS3-2012 with 4 extensions
each extension with two suction cups 388

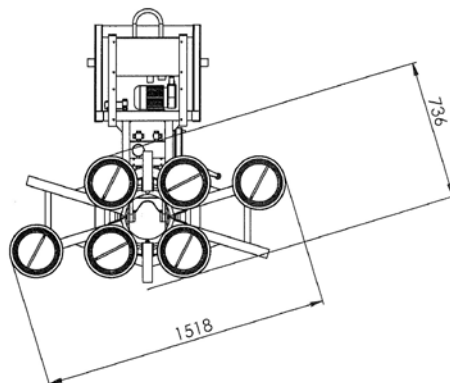
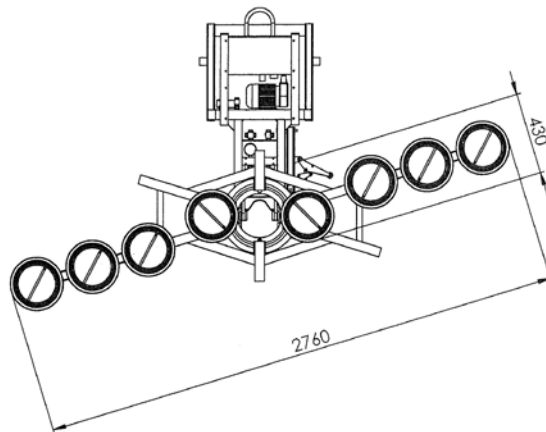
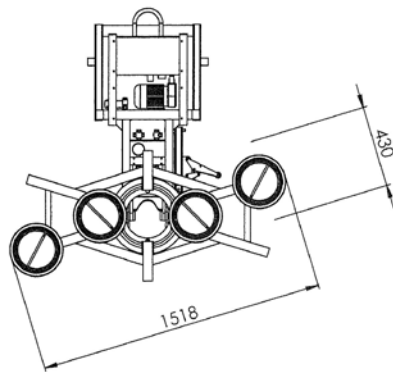


Kombi 7211-DS3 with 6 extensions
each extension with two suction cups 388



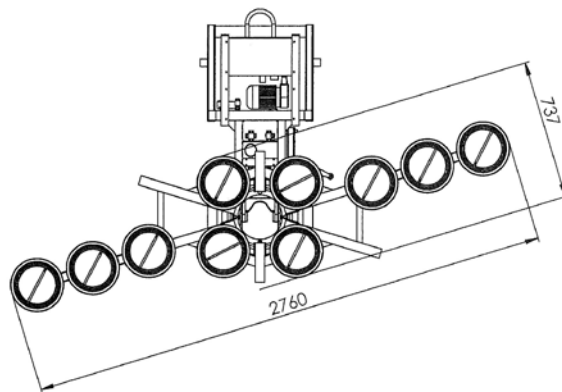
Kombi 7211-DS3-2012
possible special layout of the suction cups

with suction cups 388



Kombi 7211-DS3-2012
possible special layout of the suction cups

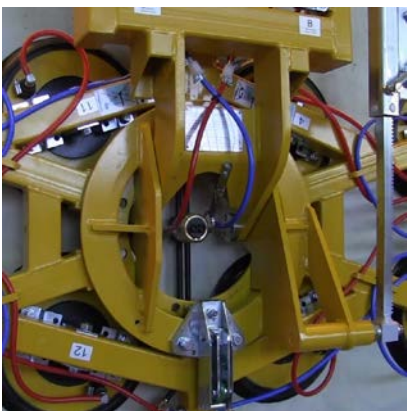
with suction cups 388



Do you want to learn more?

Use the QR code for the video and you will also learn more about the device.

**Or click on the picture.
Standard version**



Do you want to learn more?

Use the QR code for the video and you will also learn more about the device.

**Or click on the picture.
Version with rotary transmission
leadthrough**