

Transport- Installation-Lift 7211-TML

Developed for operation
on the construction site
within the EC
according to EN 13155



installation lift with vacuum lifting device
for planar stabilized, vertical lifting and transporting
manual turning through ± 360 degrees
manual tilting through $+20 / -50$ degrees



Description




- easily moveable Transport-Installation-Lift for transport of plates on solid ground
- height and inclination adjustable
- lifting up motion via hand hydraulic pump
- safety valve for let down motion
- **increased safety via 2 independent vacuum circuits each vacuum circuit is designed with 2-fold safety**
- **according to the standards EN 13155 & prEN 13035-1 & prEN 13035-2**
- each vacuum circuit has a vacuum tank with nonreturn valve, vacuum switch and control vacuum meter
- **2 completely closed vacuum circuits** prevent loss of vacuum at power failure
- warning lamp and acoustic signal indicate insufficient vacuum
- **power failure monitoring system**
- multiple row arrangement of suction cups
- extendable at maximum by 6 extensions
- ball beared turning device and lock locking at $-270^\circ -180^\circ -90^\circ 0^\circ +90^\circ +180^\circ +270^\circ$
- tilting device ($+20^\circ$ to -50°) with locking device every 3°

Vacuum Generation

- built-in low maintenance rechargeable battery vacuum pump (dry running system)
- for rechargeable battery and line operation without change-over
- built-in accumulator charger for charging over night
- no change of rechargeable battery necessary
- no cable - no hose

Control Means

- ON/OFF directly at the device
 - SUCTION/RELEASE via hand valve at the device optional via cable remote control or via infrared remote control
- Safe Working Load: 300 / 500 kg
Colour: red / yellow / partly zinked

	vertical
	turning through ± 360 degrees
	tilting through maximum 90 degrees

suitable for lifting					
material properties	gas-tight				
surface	smooth				
e. g.	glass panes, sealed units, window and curtain walling elements, plastic and ceramic plates, coated boards				
suction cup type	388				
diameter in action approx. mm	300				
quality of suction cups	rubber black - abrasion possible - up to 100° C heat resistance				
number of suction cups	10	10	8	6	4
number of extension pieces:	6	4	0	0	0
safe working load on smooth and clean surface at 60 % vacuum					
at EC construction sites kg	300 / 500	300 / 500	300 / 400	300	200
in-plant kg	300 / 500	300 / 500	300 / 500	300 / 500	300 / 400
dead weight approx. kg	340				
suction frame size approx. mm	2550 x 1850	2550 x 1000	1360 x 630	1360 x 630	1400 x 410
maximum lifting height approx. mm	2000				
dimensions of device	length: 1300 / 1500 - width: 870 - height: 1560				
transport width with large plate approx. mm	1020				
voltage charger for battery	230 Volt (or 110 Volt) 50/60 Hz 1Ph				
Item No.: 7211-TML-300-... maximum carrying capacity 300 kg	10-VL6	10-VL4	08-VL0	06-VL0	04-VL0
Item No.: 7211-TML-500-... maximum carrying capacity 500 kg					

Accessories on request

Item No.: 388-SCHUTZ	protection cap for suction cup 388
Item No.: 7003-DSKAST	cable remote control → SUCTION/RELEASE
Item No.: 7003-DSFUS2	infrared remote control → SUCTION/RELEASE
Item No.: 7003-DSFUST	infrared remote control → SUCTION/RELEASE only outside the EC
Item No.: 7003-WL	large warning lamp (flash light for collecting failures)



Transport-Installation-Lift 7211-TML



unloading from a glass rack with 5° inclination



low height of front rollers



turning of a plate 3 x 2m

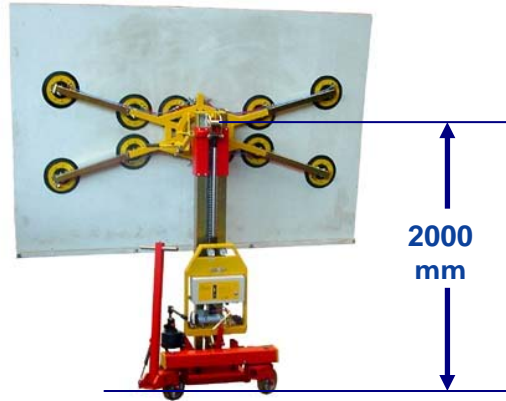


turning of a plate 3 x 2m

Transport-Installation-Lift 7211-TML



the maximum inclination depends on the height of stroke and the size of the transport load



maximum lifting height – approx. 2.000 mm

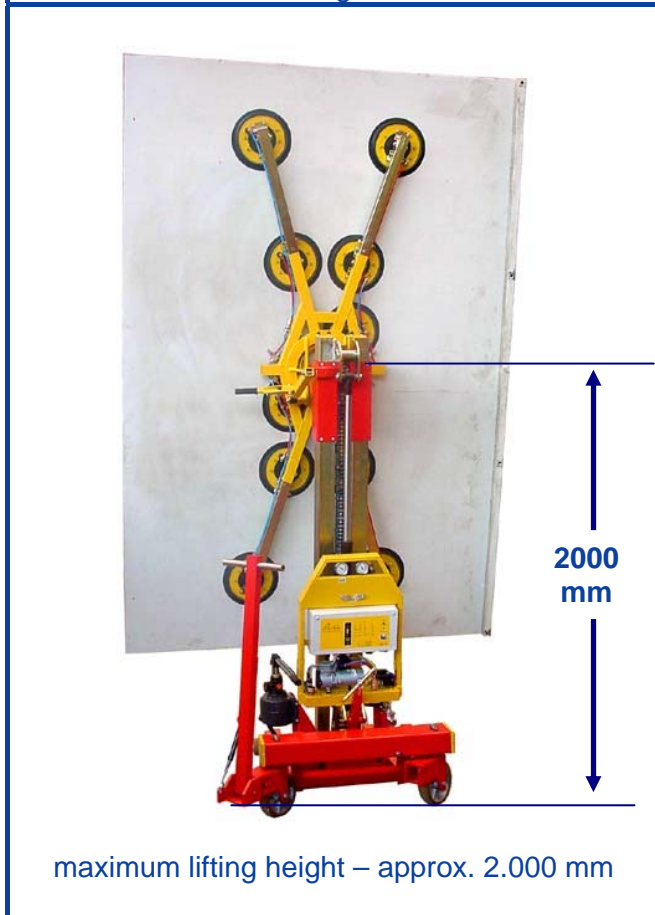


adjustable inclination of pillar and suction frame

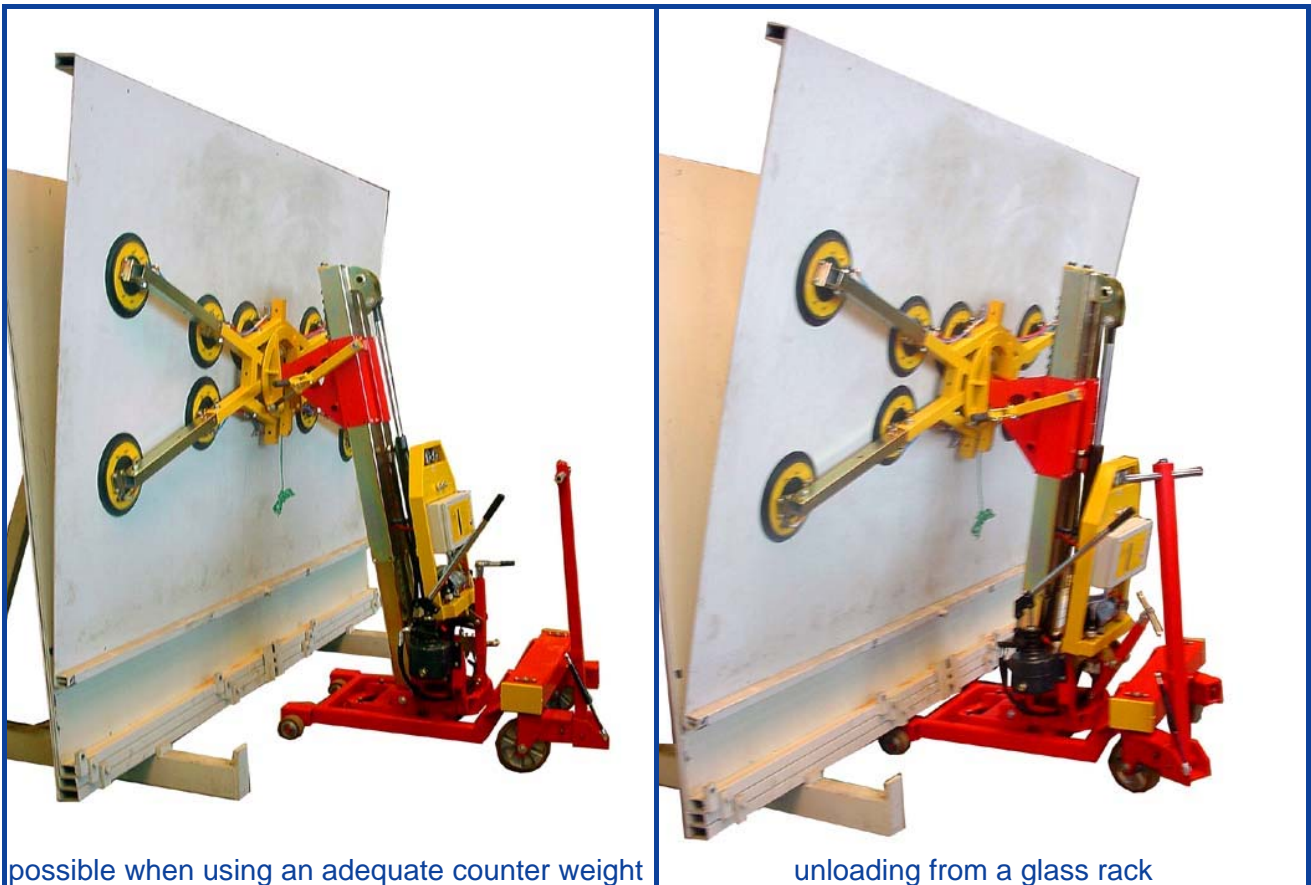


transport position – width approx. 1.020 mm

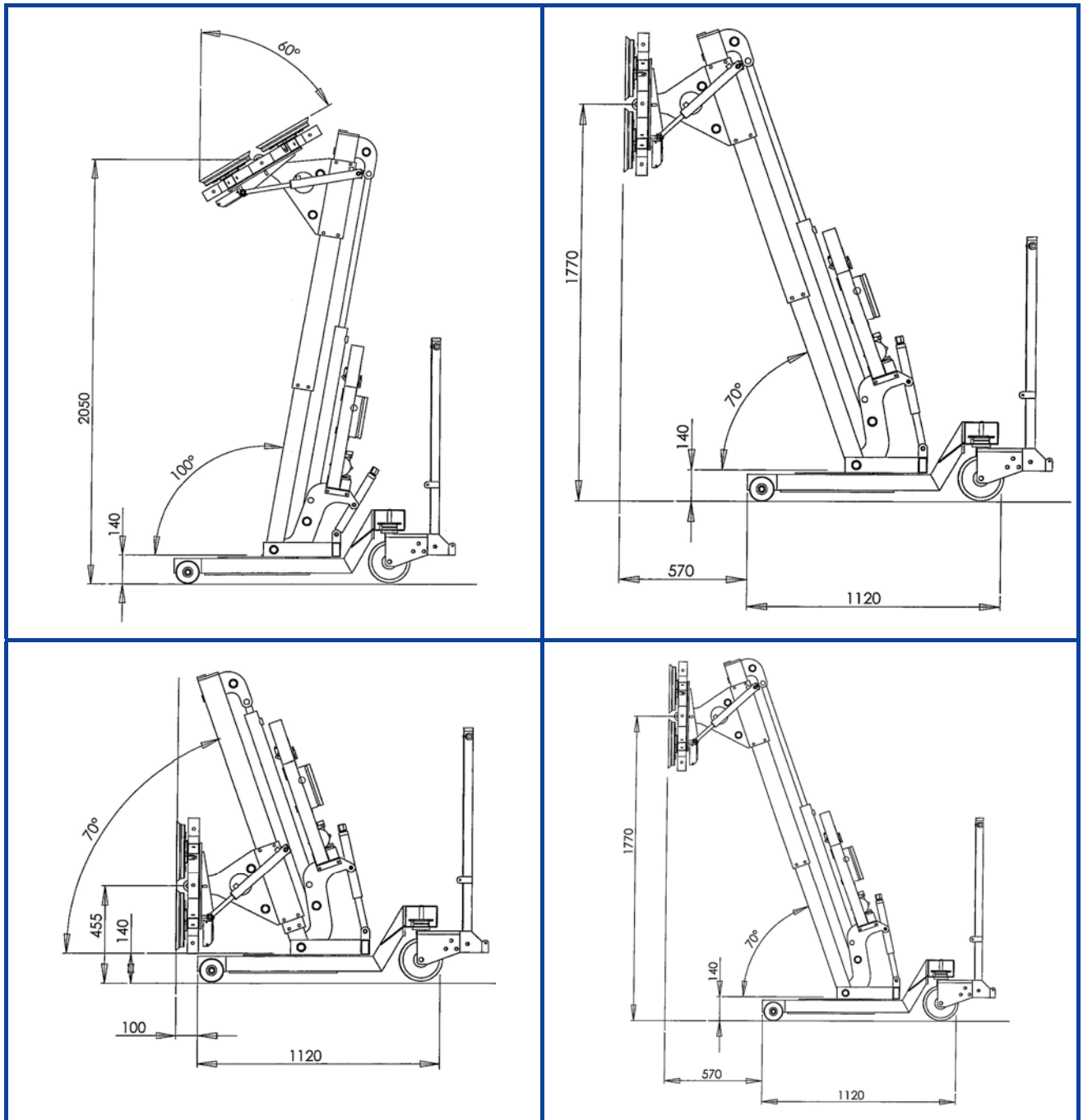
Transport-Installation-Lift 7211-TML



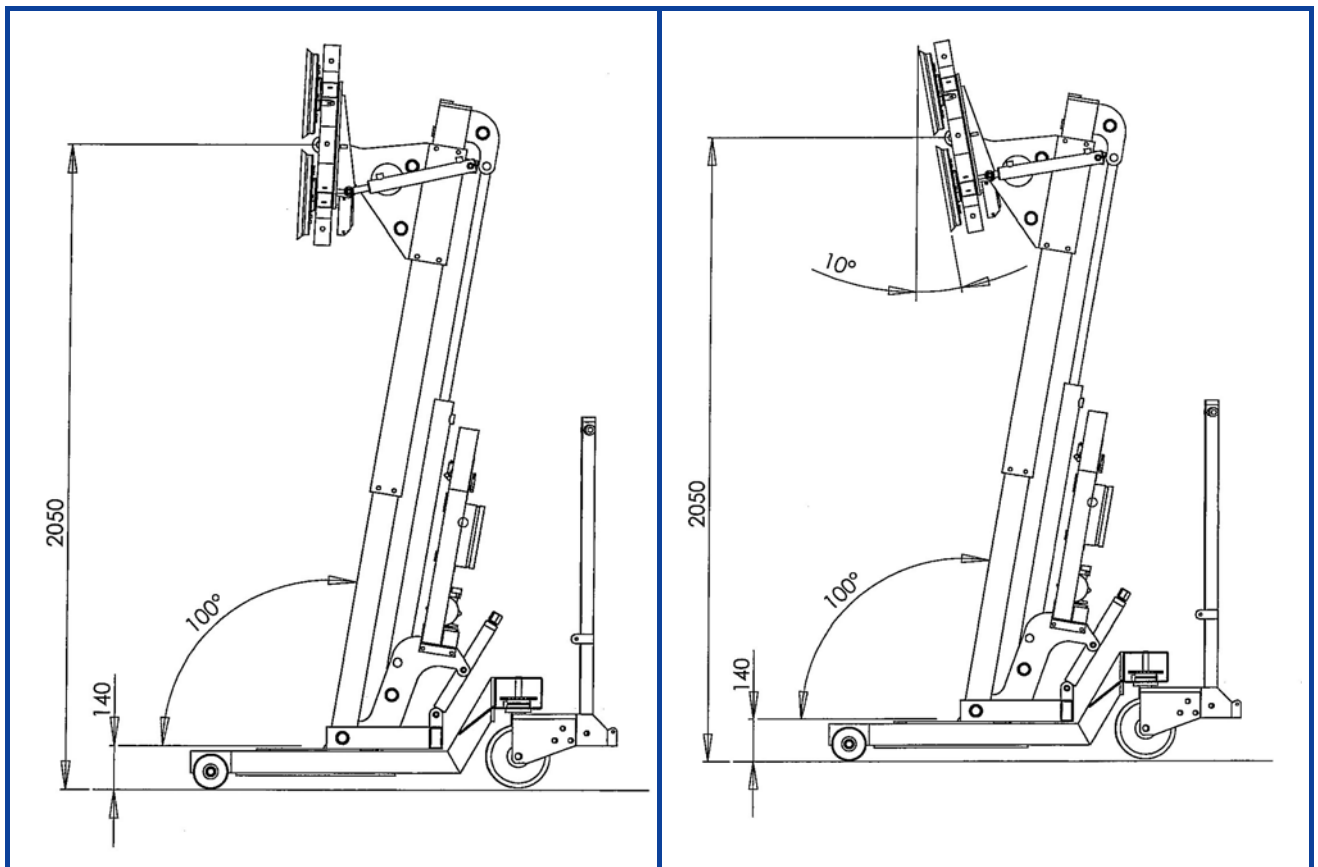
Transport-Installation-Lift 7211-TML



Transport-Installation-Lift 7211-TML



Transport-Installation-Lift 7211-TML



Kombi 7211-DS3 — Kombi 7011-DS3
Transport-Installation-Lift 7211-TML - 7011-TML

