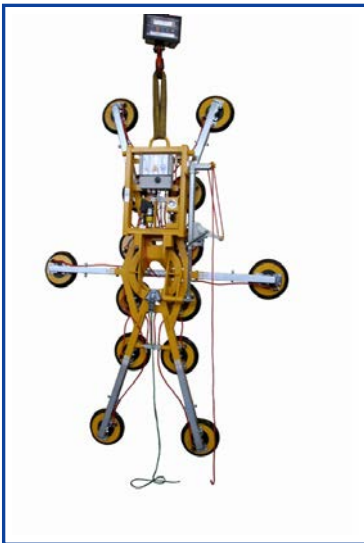
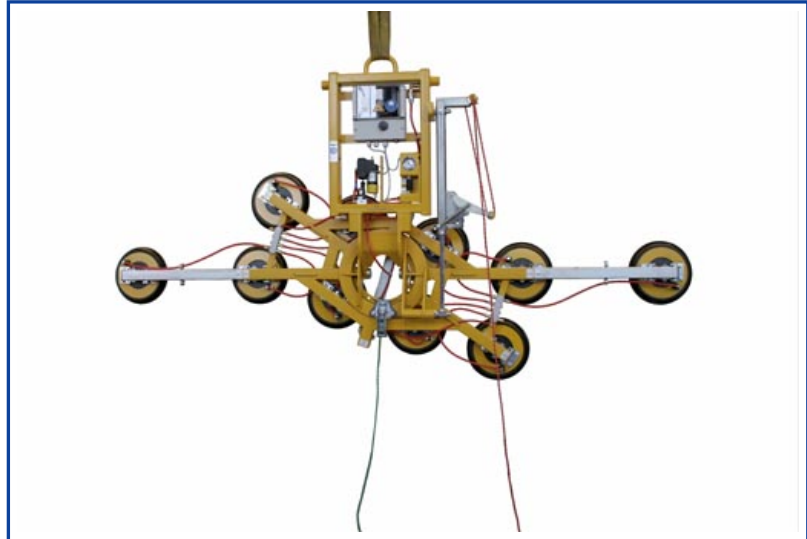


## Accu-Device Kombi 7011-DS3-2012

for intra-plant use according  
to EN 13155



	vertical
	horizontal
	turning through +/- 135° Option: +/- 360°
	tilting through 90°

### Description

- **1 circuit vacuum system**
- the vacuum circuit has a vacuum tank with nonreturn valve, vacuum switch and control vacuum meter
- **completely closed vacuum circuit**  
prevents loss of vacuum at power failure
- warning lamp and acoustic signal indicate insufficient vacuum
- extendable with 14 suction cup extensions
- all suction cups lockable individually
- turning device with roller bearings and locking (+90° / 0° / -90°)  
Standard: +/- 135°
- tilting device (0° to 90°) with locking device every 3°
- **maximum structural depth 230 mm**
- extendable at maximum by 6 extensions

### Vacuum generation

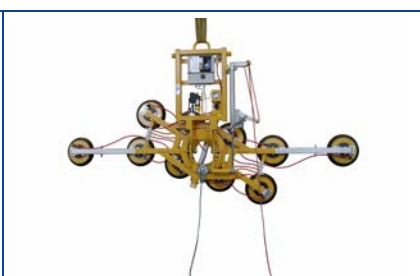
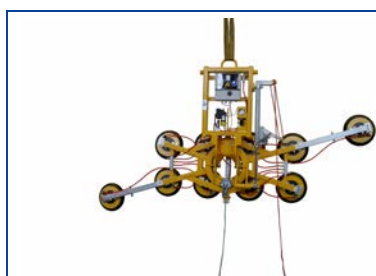
- built-in low maintenance rechargeable battery vacuum pump (dry running system)
- for battery operation with quick-change device for short battery change times of less than one minute
- battery charger for charging second battery
- no cable - no hose

### Operation

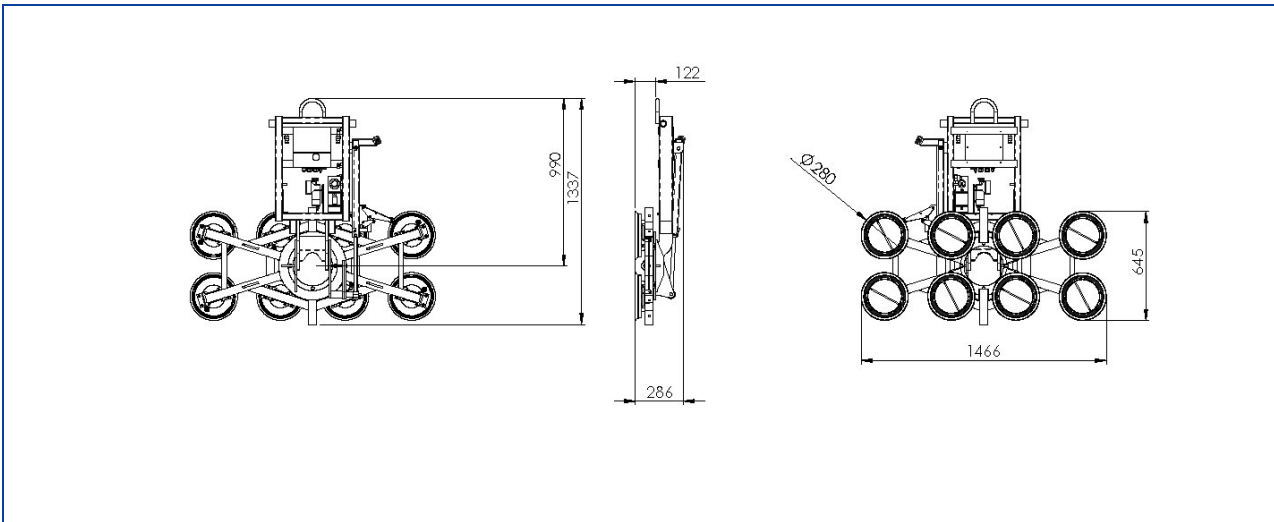
- ON/OFF directly at the device
- SUCTION/RELEASE via hand valve at the device
- TURNING optional  
via remote control
- TILTING tackle

**Suspension:** crane eye at the carrying frame  
**Load capacity :** 800 kg / 1200 kg  
**Colour:** yellow / partly zinked

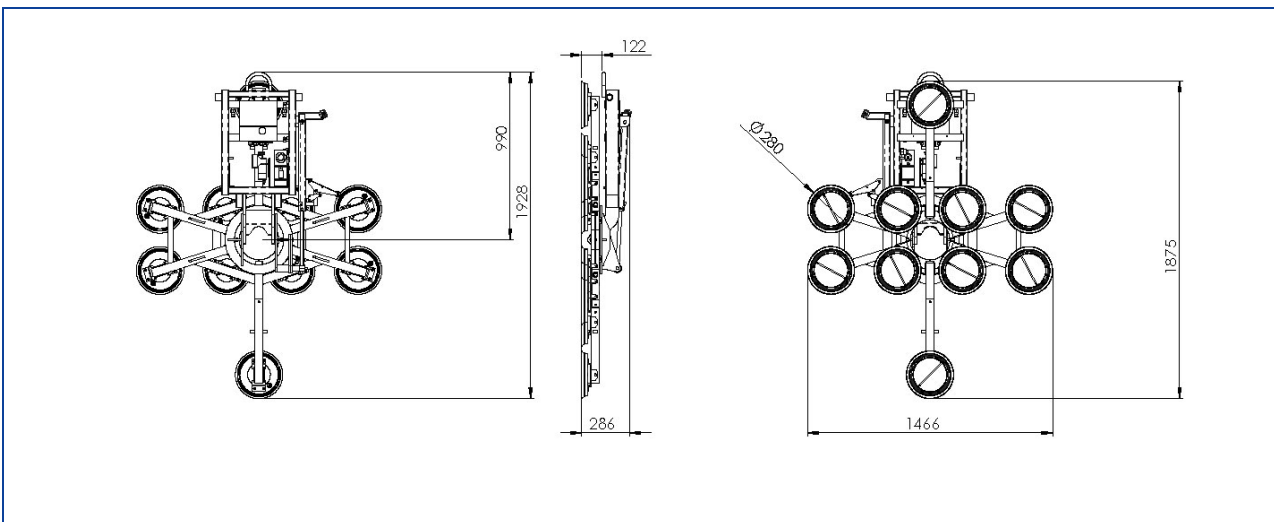
<b>suitable for lifting</b>				
material properties	gas-tight			
surface	smooth			
e.g.	glass panes, sealed units, window and curtain walling elements, plastic and ceramic plates, coated boards			
<b>suction cup type</b>	<b>388</b>			
<b>diameter</b> in action approx. mm	300			
<b>quality of suction cups</b>	black rubber abrasion possible up to 80° C heat resistant from 4 mm glass thickness			
<b>number of suction cups</b>	8	10	12	14
<b>number of extensions</b>	0	2	4	6
<b>safe working load</b> on smooth and clean surface at 60 % vacuum				
<b>in-company</b> kg	800	900	1000	1200
<b>outer distance of the suction cups</b> approx. mm	650 x 1470	1880 x 1470	1010 x 2660	1880 x 2660
<b>dead weight</b> approx. kg				
<b>distribution voltage</b> charger for battery	110 - 230 V / 50/60 Hz / 1 phase			
<b>Item No.: 7011-DS3-2012...</b>	<b>-8&amp;0</b>	<b>-8&amp;2</b>	<b>-8&amp;4</b>	<b>-8&amp;6</b>
<b>Accessories on request</b>				
<b>Item No.: OPT-DDF1</b>	device option single rotary transmission leadthrough for turning +/- 360°			
<b>Item No.: 388-SCHUTZ</b>	protection cap for suction cup 388			
<b>Item No.: 7003-GTWDS3</b>	transport carriage for Kombi 7011-DS3-2012 / 7211-DS3-2012			
<b>Item No.: 7003-WSP</b>	rain cover for transport carriage including Kombi DS3-2012			
<b>Item No.: 7003-KB-2K</b>	cable remote control SUCTION / RELEASE			
<b>Item No.: 7003-IFB-2K</b>	infrared remote control SUCTION / RELEASE			
<b>Item No.: 7003-FB-SL-2K</b>	radio remote control SUCTION/RELEASE			
<b>Item No.: 7203-DSG3-2012</b>	conversion kit for curved materials (2 x 11 x suction cups 540 / 350 kg)			



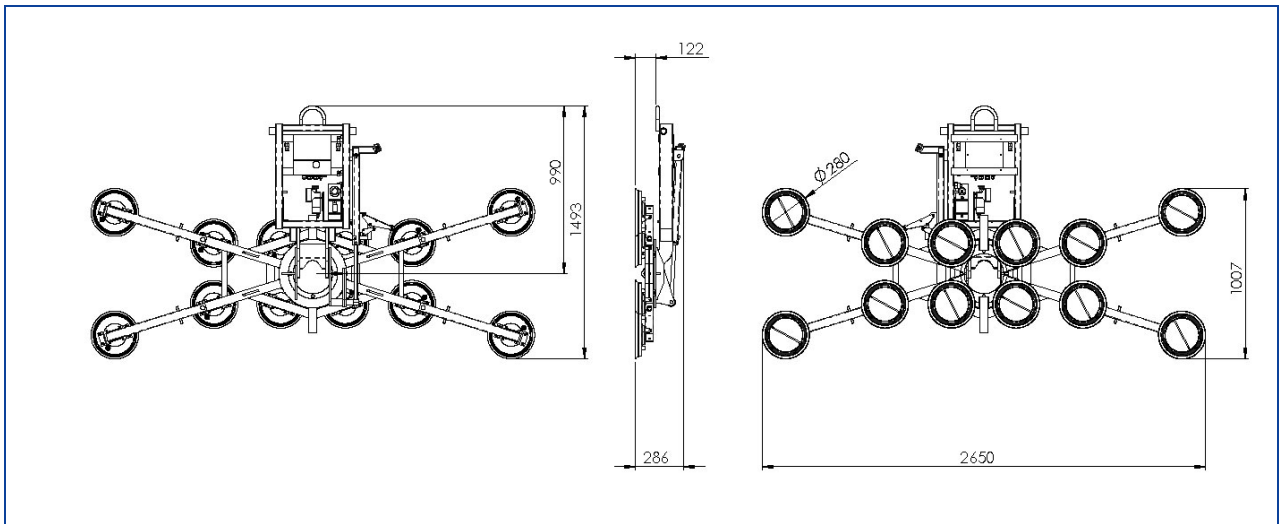
## Kombi 7011-DS3-2012 with 8 suction cups 388 on base frame



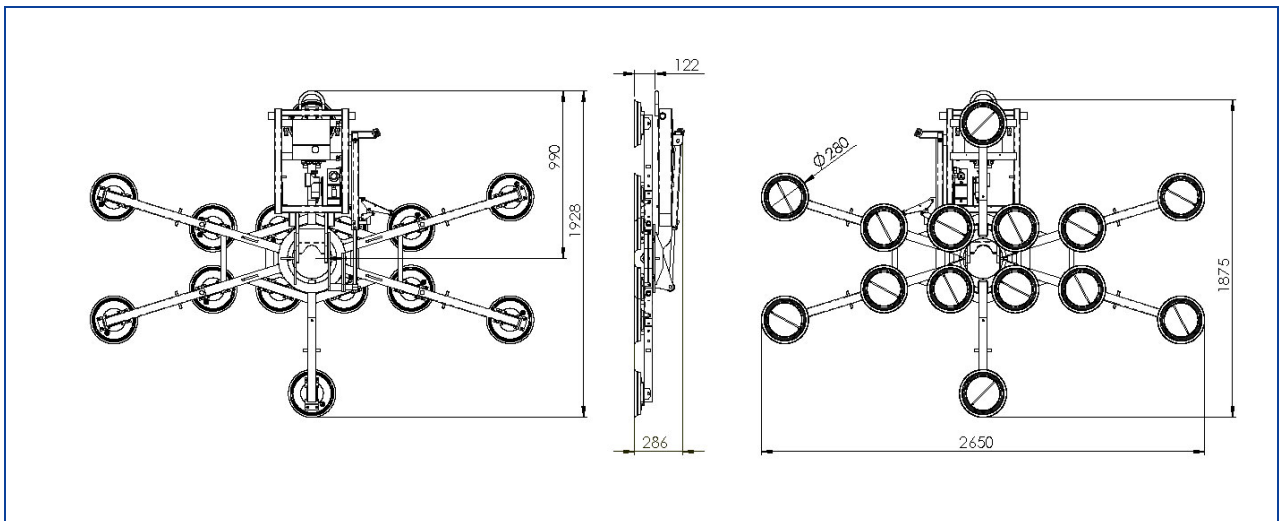
## Kombi 7011-DS3-2012 with 2 extensions with 8 suction cups 388 on base frame



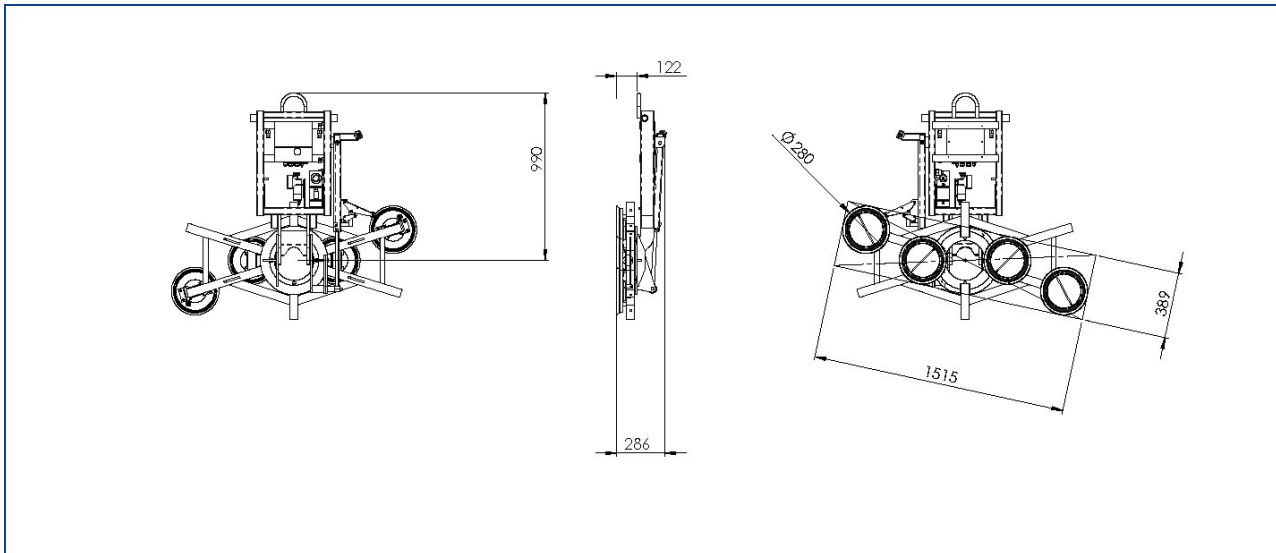
Kombi 7011-DS3-2012 with 4 extensions  
with 8 suction cups 388 on base frame



Kombi 7011-DS3-2012 with 6 extensions  
with 8 suction cups 388 on base frame



## Kombi 7011-DS3-2012 possible special layout of the suction cups



## Kombi 7011-DS3-2012 possible special layout of the suction cups with 2 extensions

