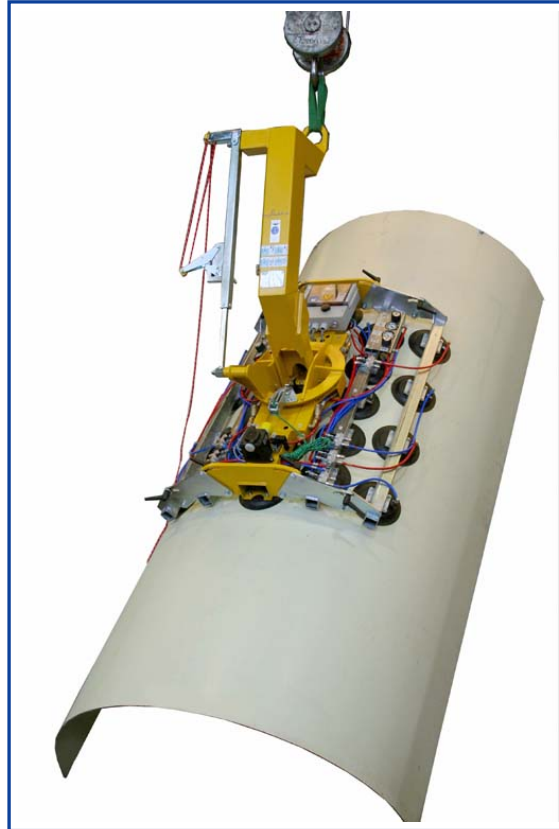
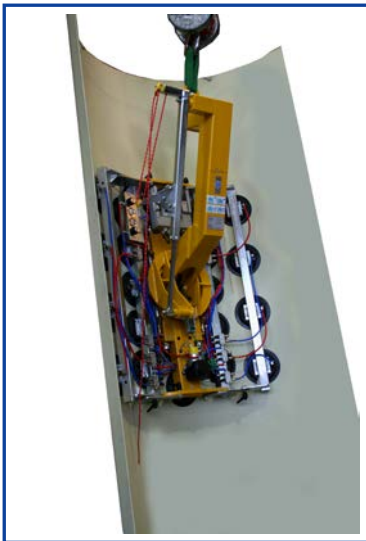


Accu-Device Kombi 7411-DSG7

Developed for construction
site use within the EU
according to EN 13155



for lifting and transporting
convex and concave curved materials

Description

- **increased safety via 4 independent vacuum circuits**
- each vacuum circuit is equipped with a vacuum tank with non-return valve, vacuum switch and control vacuum meter
- **4 completely closed vacuum circuits**
prevent loss of vacuum at power failure
- acoustic signal indicates insufficient vacuum
- carrying bars are turnable on bearings
for minimum radius of 650 mm
- all suction cups lockable individually
- turning device with roller bearings and locking every 90°
- tilting device (0° to 90°) with locking device every 3°

Vacuum generation

- for battery operation with quick-change device for short battery change times of less than one minute
- battery charger for charging second battery
- no cable - no hose

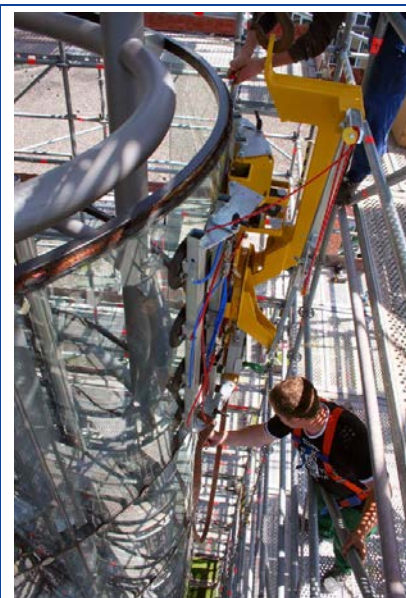
Operation

- ON/OFF directly at the device
- SUCTION/RELEASE via hand valve at the device
- turning tackle
- TILTING tackle

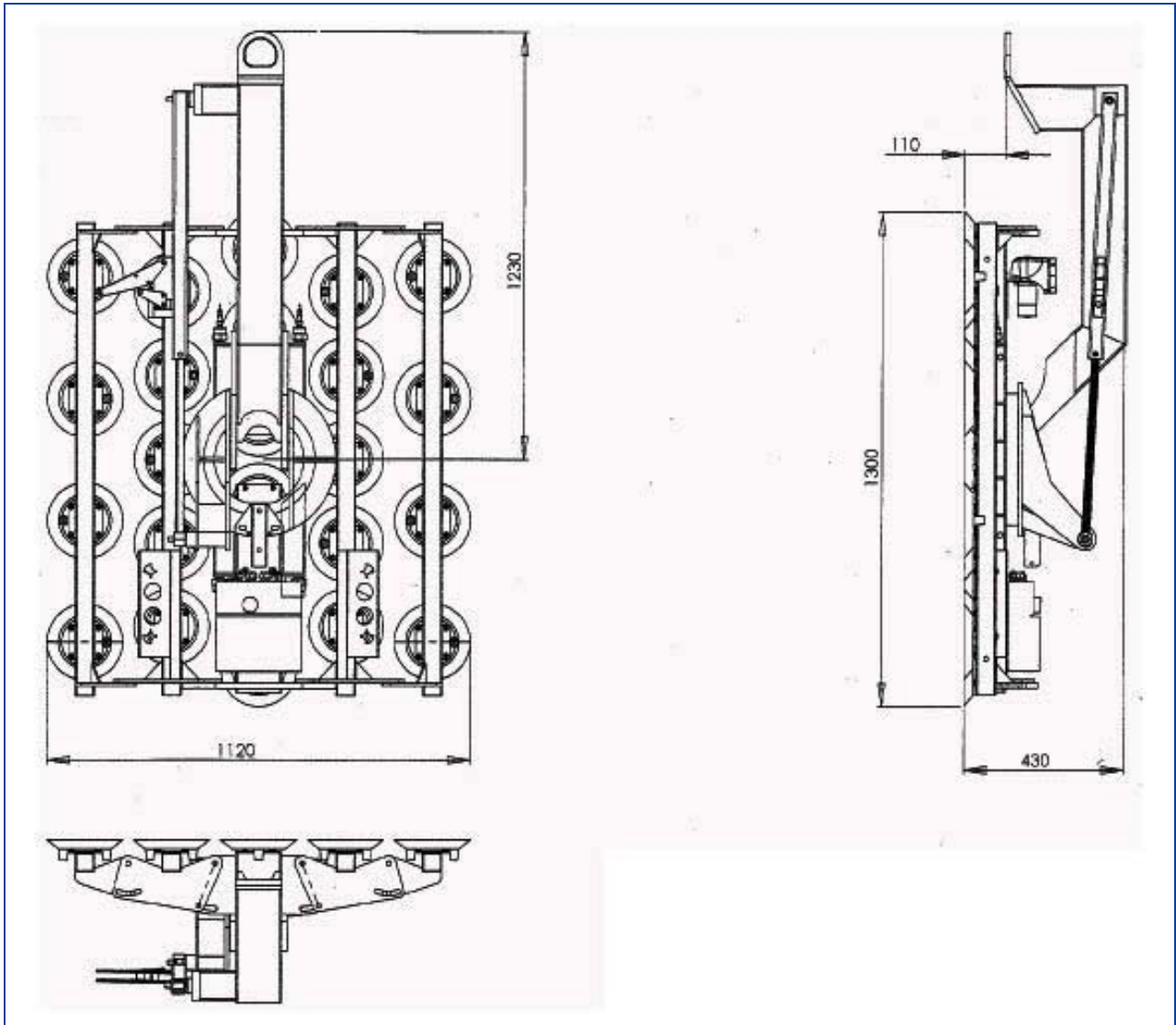
Suspension: crane eye at the carrying frame
Carrying capacity: 630 kg / 750 kg
Colour: yellow / partly zinked

	vertical
	horizontal
	turning through +/- 360°
	tilting through 90°

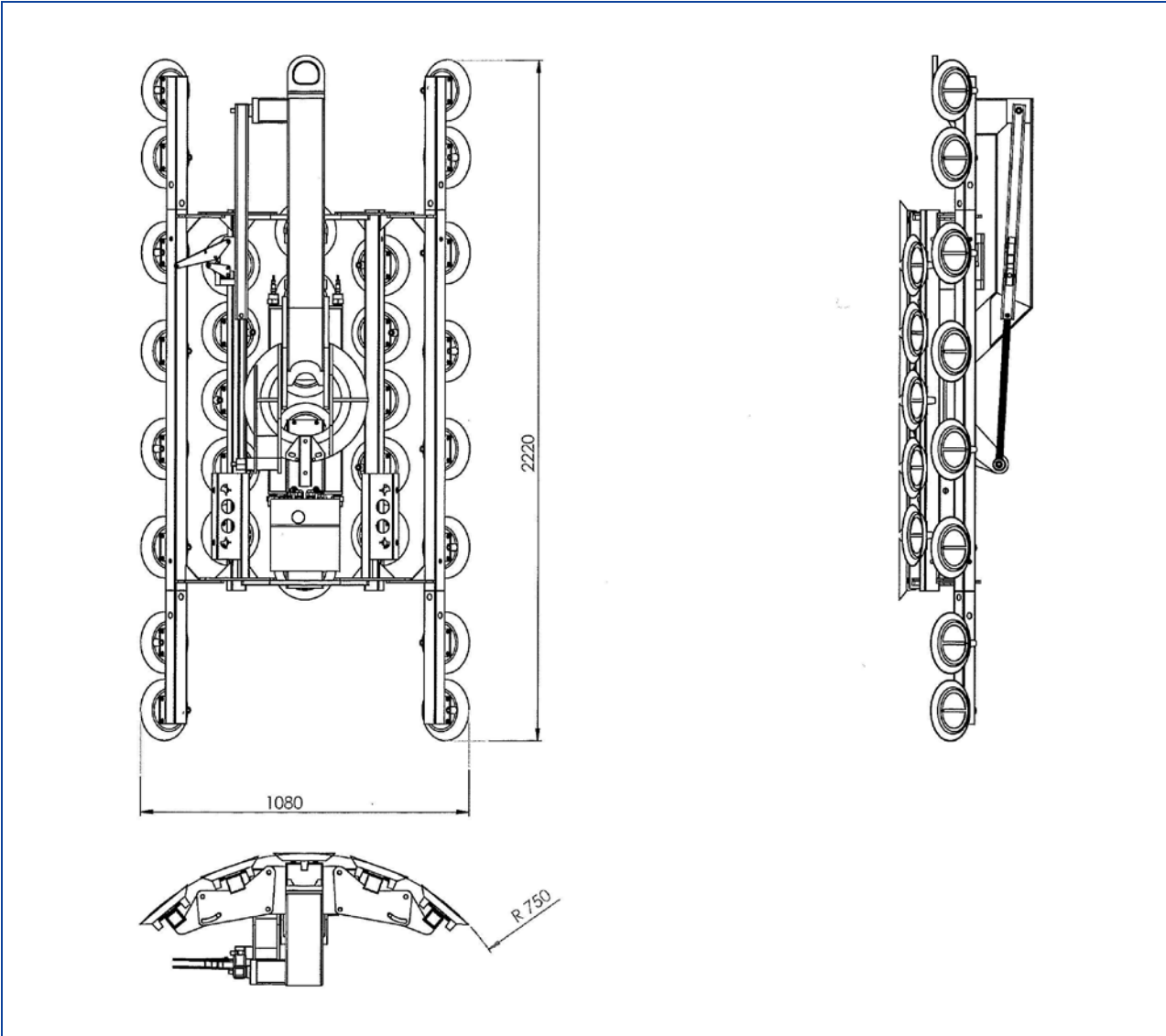
suitable for lifting				
material properties	gas-tight			
surface	smooth convex or concave curve as well as plane parallel radius minimum 650 mm			
e.g.	glass panes, insulation glass units, window elements, curtain walling elements, plastic and ceramic plates, coated boards			
suction cup type	540			
diameter in action approx. mm	200			
quality of suction cups	black rubber abrasion possible up to 80° C heat resistant			
number of suction cups	4 x 4	4 x 6	4 x 6	4 x 8
suction cup rows	3	5	3	5
safe working load on smooth and clean surface at 60 % vacuum at EC construction sites	kg	420	630	630
in-company	kg	560	750	750
outer distance of the suction cups approx. mm	1300 x 660	1300 x 1120	2200 x 660	2200 x 1120
dead weight approx. kg				
distribution voltage charger for battery	110 - 230 V / 50/60 Hz / 1 phase			
Item No.: 7411-DSG7...	-24		-32	
Accessories on request				
Item No.: 540-SCHUTZ	protection cap for suction cup 540			
Item No.: 7003-VLDSG7	Set of extensions (4 pieces with 2 suction cups 540 each, approx. 450mm long)			



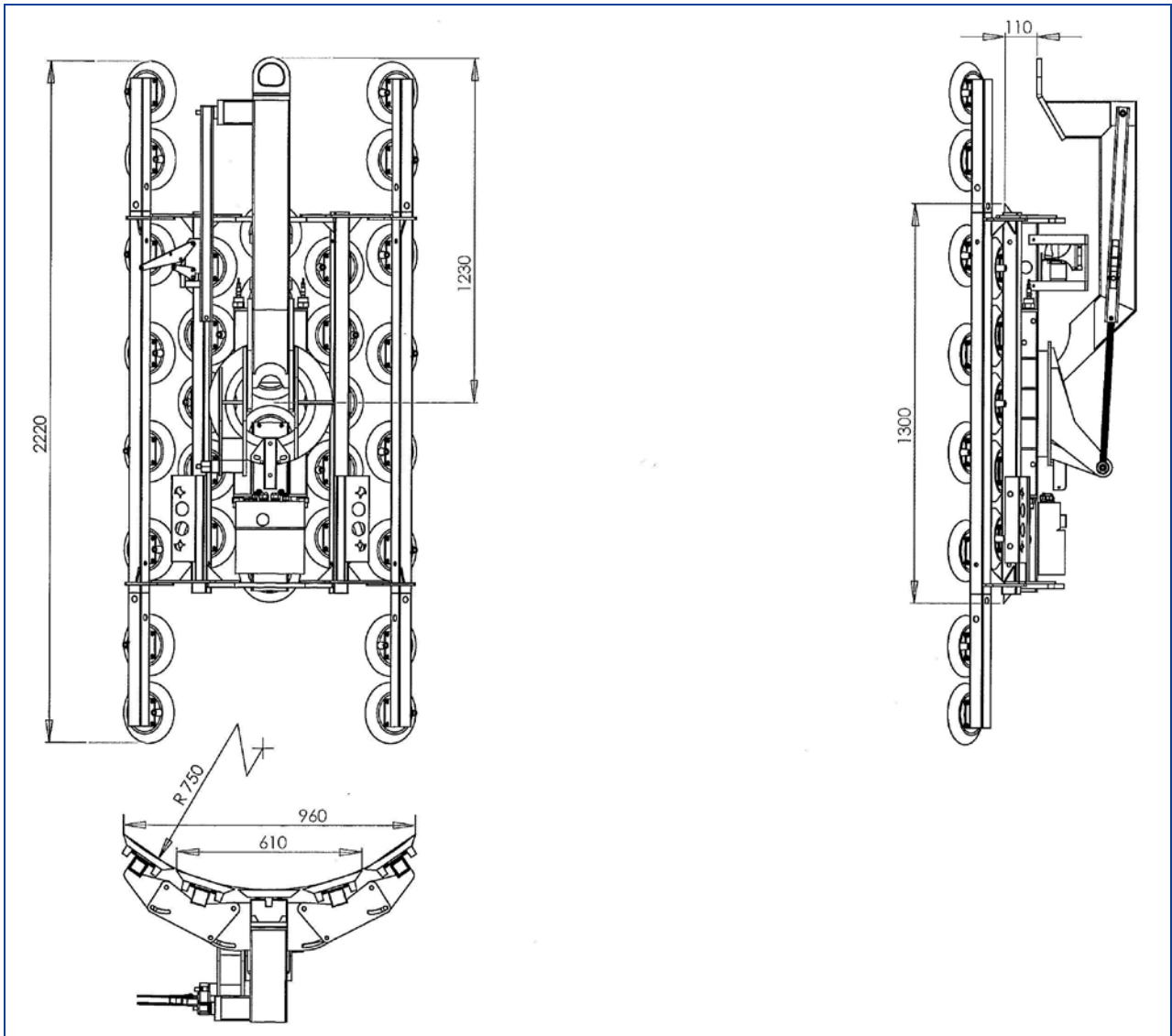
Kombi 7411-DSG7 with 24 suction cups 540 in 5 rows



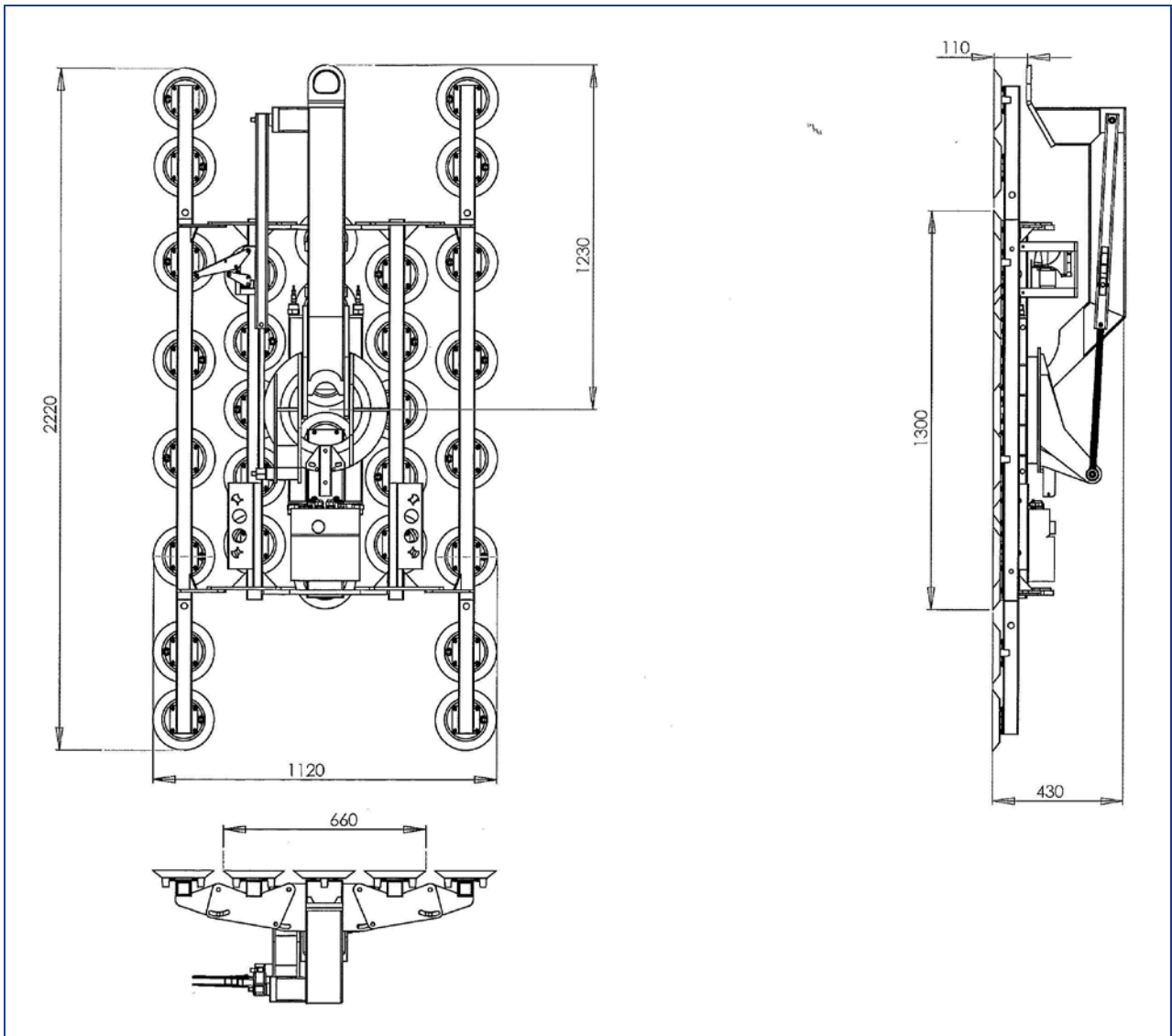
Kombi 7411-DSG7 with 32 suction cups 540 in 5 rows
with extension set 7003-VLDSG7



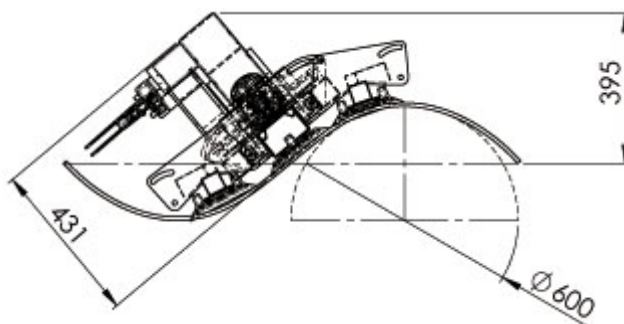
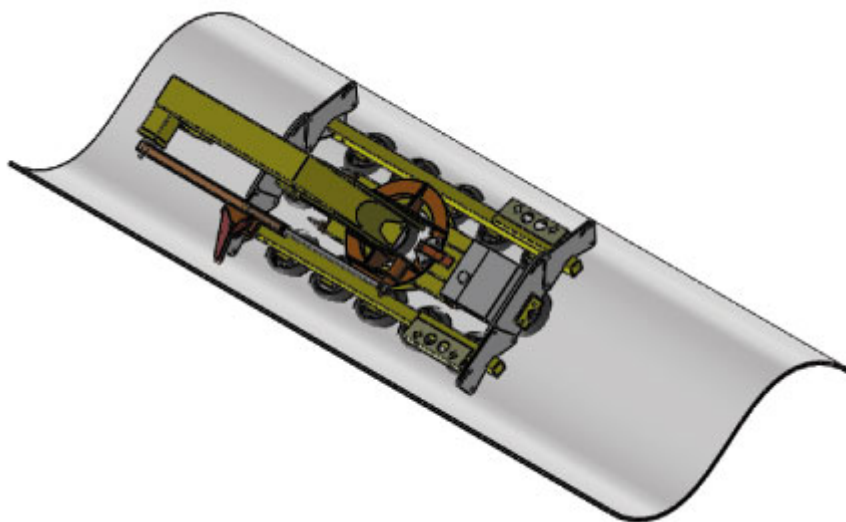
Kombi 7411-DSG7 with 32 suction cups 540 in 5 rows with extension set 7003-VLDSG7

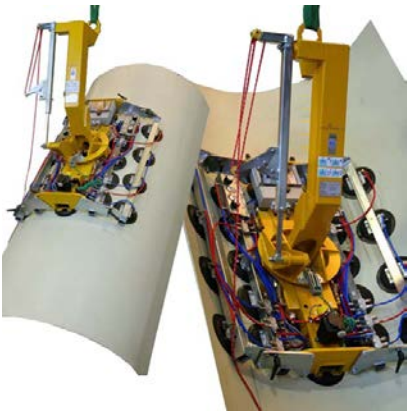


Kombi 7411-DSG7 with 32 suction cups 540 in 5 rows
with extension set 7003-VLDSG7



Kombi 7411-DSG7 on the shaft





Do you want to learn more?

Use the QR code for the video and you will also learn more about the device.

Or click on the picture.

The Kombi 7411-DSG7 on test.

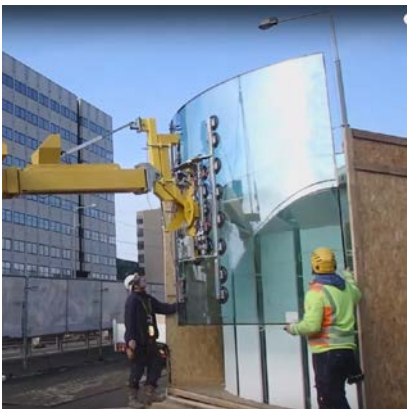


Do you want to learn more?

Use the QR code for the video and you will also learn more about the device.

Or click on the picture.

The Kombi 7411-DSG7 in operation.

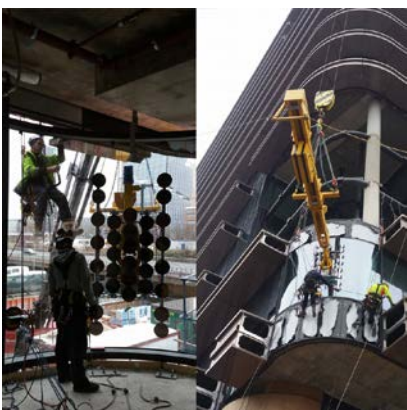


Do you want to learn more?

Use the QR code for the video and you will also learn more about the device.

Or click on the picture.

The Kombi 7411-DSG7 in operation.



Do you want to learn more?

Use the QR code for the video and you will also learn more about the device.

Or click on the picture.

The Kombi 7411-DSG7 in operation.