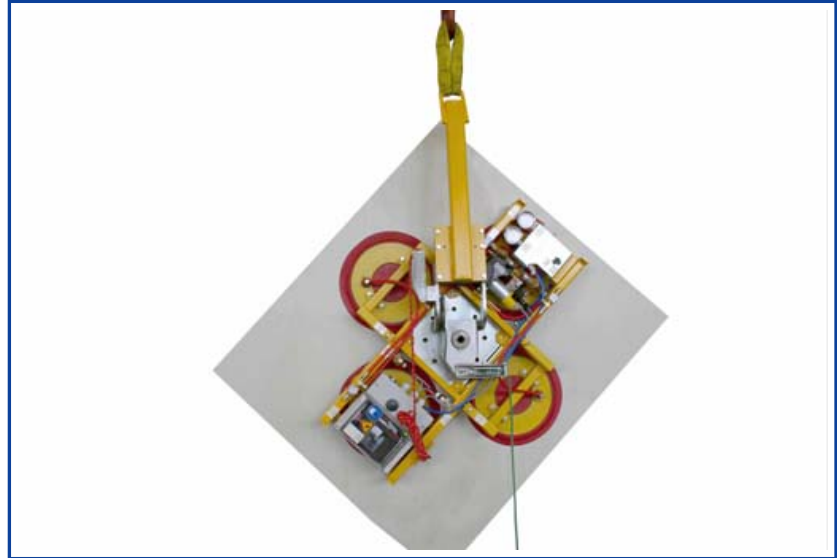


Accu-Device Kombi 7211-DS250

Developed for construction
site use within the EU
according to EN 13155



	vertical
	horizontal
	turning through +/- 360°
	tilting through 90°

Description

- **increased safety via 2 independent vacuum circuits**
- each vacuum circuit has a vacuum tank with non-return valve, vacuum switch and control vacuum meter
- **2 completely closed vacuum circuits**
prevent loss of vacuum at power failure
- acoustic signal indicates insufficient vacuum
- Single-row or rectangular suction cup layout
- all suction cups lockable individually
- turning device with roller bearings and locking every 45°
- tilting device (0° to 90°) with locking device every 15°
- can be used with and without suspension bar
- fixed assembly option for Assembly lift 7003-4500TS, 7003-Bull and 7003-Magnum

Vacuum generation

- for battery operation with quick-change device for short battery change times of less than one minute
- battery charger for charging second battery
- no cable - no hose

Operation

- ON/OFF directly at the device
- SUCTION/RELEASE via hand valve at the device
- TURNING tackle
- TILTING tackle

Suspension: suspension eye on the suspension bar, rope strop or fixed assembly

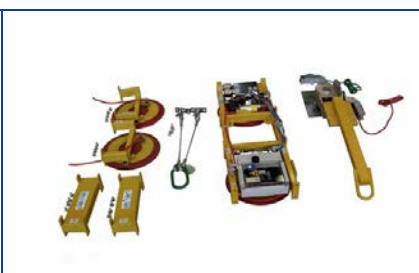
Load capacity :

250 kg

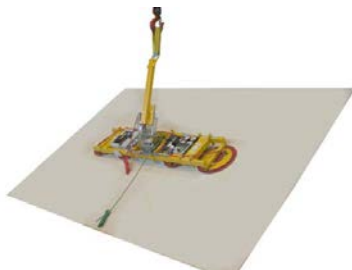
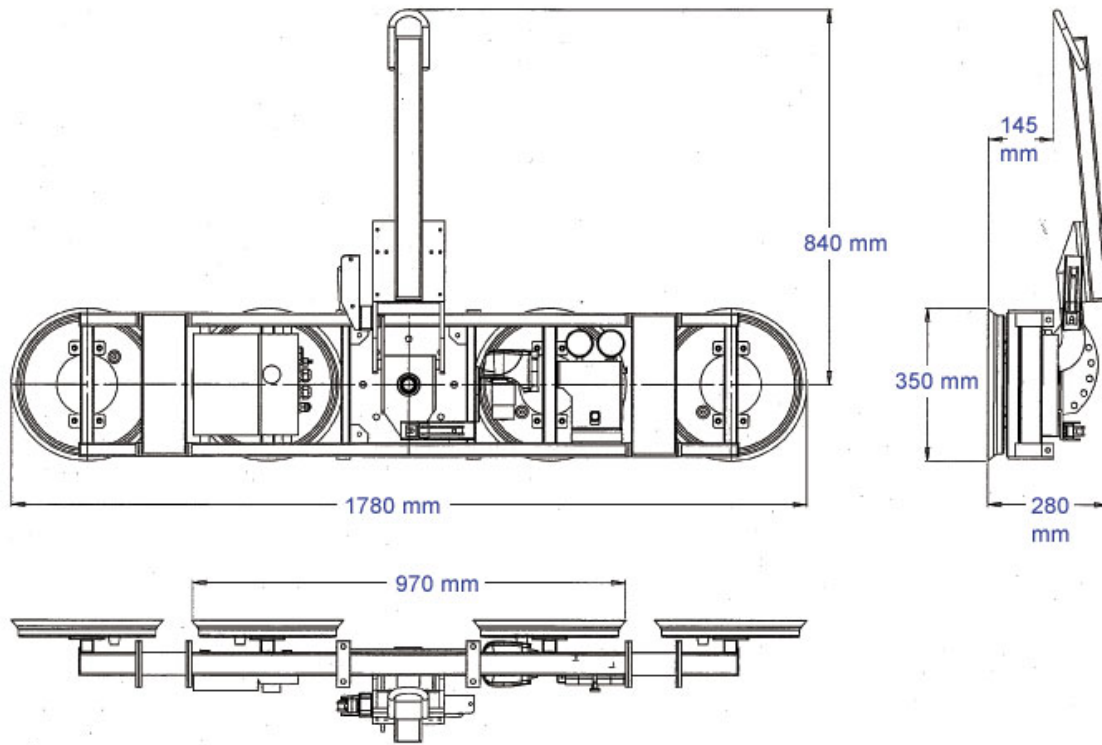
Colour:

yellow / partly zinked

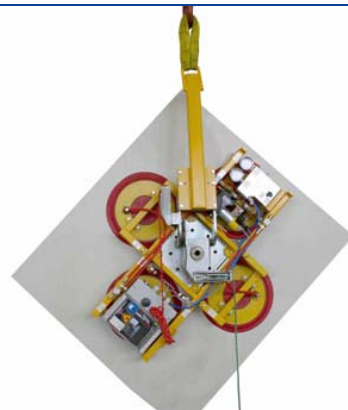
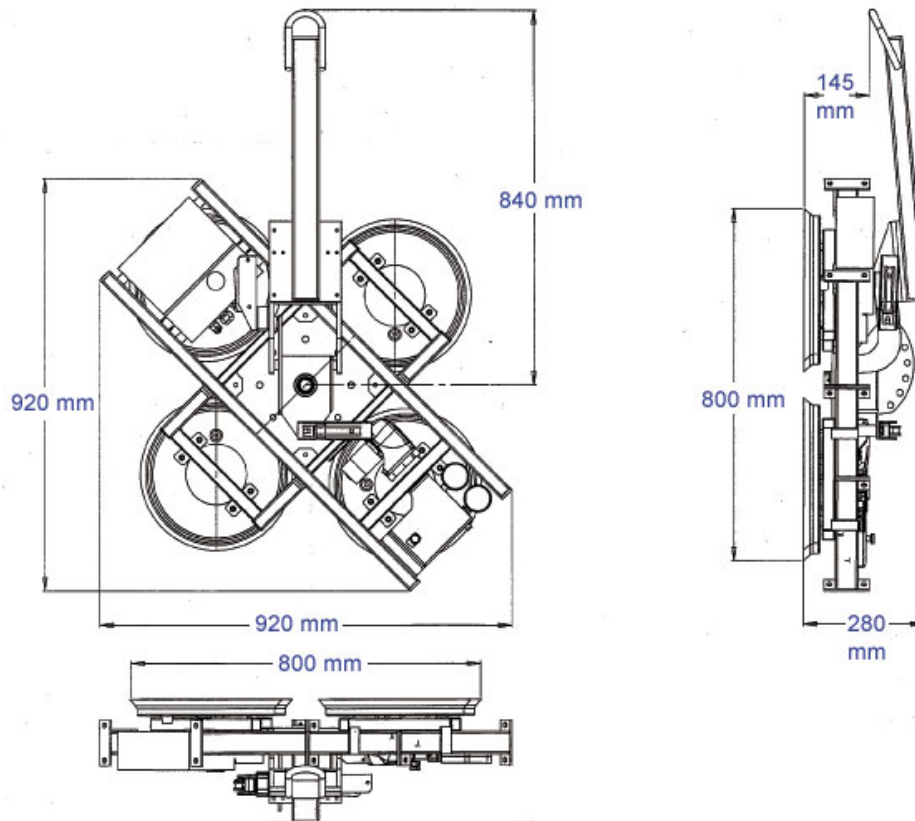
suitable for lifting			
material properties	gas-tight		
surface	smooth		
e. g.	glass panes, sealed units, window and curtain walling elements, plastic and ceramic plates, coated boards		
suction cup type	488-K		388
diameter in action approx. mm	350		300
quality of suction cups	rubber red abrasion possible up to 80° C heat resistant from 3 mm glass thickness	black rubber abrasion possible up to 80° C heat resistant from 4 mm glass thickness	
number of suction cups	2 x 2		2 x 2
safe working load on smooth and clean surface at 60 % vacuum			
at EC sites kg	250		200
in-company kg	300		300
outer distance of the suction cups approx. mm	1780 x 350	800 x 800	1730 x 300 750 x 750
dead weight approx. kg	61	57	59 55
distribution voltage charger for battery	110 - 230 V / 50/60 Hz / 1 phase		
Item No.: 7411-DS250...	-488		-388
Accessories on request			
Item No.: 488-SCHUTZ	protection cap for suction cup 488		
Item No.: 388-SCHUTZ			protection cap for suction cup 388
Item No.: 7003-TKDS250	transport box for Kombi 7211-DS250		
Item No.: 7003-MoSa1	assembly kit for permanent mounting on 7003-4500TS assembly lift		
Item No.: 7003-MoSSa2	assembly kit for permanent mounting on 7003-Magnum assembly lift		
Item No.: 7003-MoSSa3	assembly kit for permanent mounting on 7003-Bull assembly lift		
Item No.: 7003-DS250SA	assembly set for rope stop suspension on Kombi 7211-DS250		
Item No.: 7003-DS250fA	assembly set for fixed suspension eye on Kombi 7211-DS250		



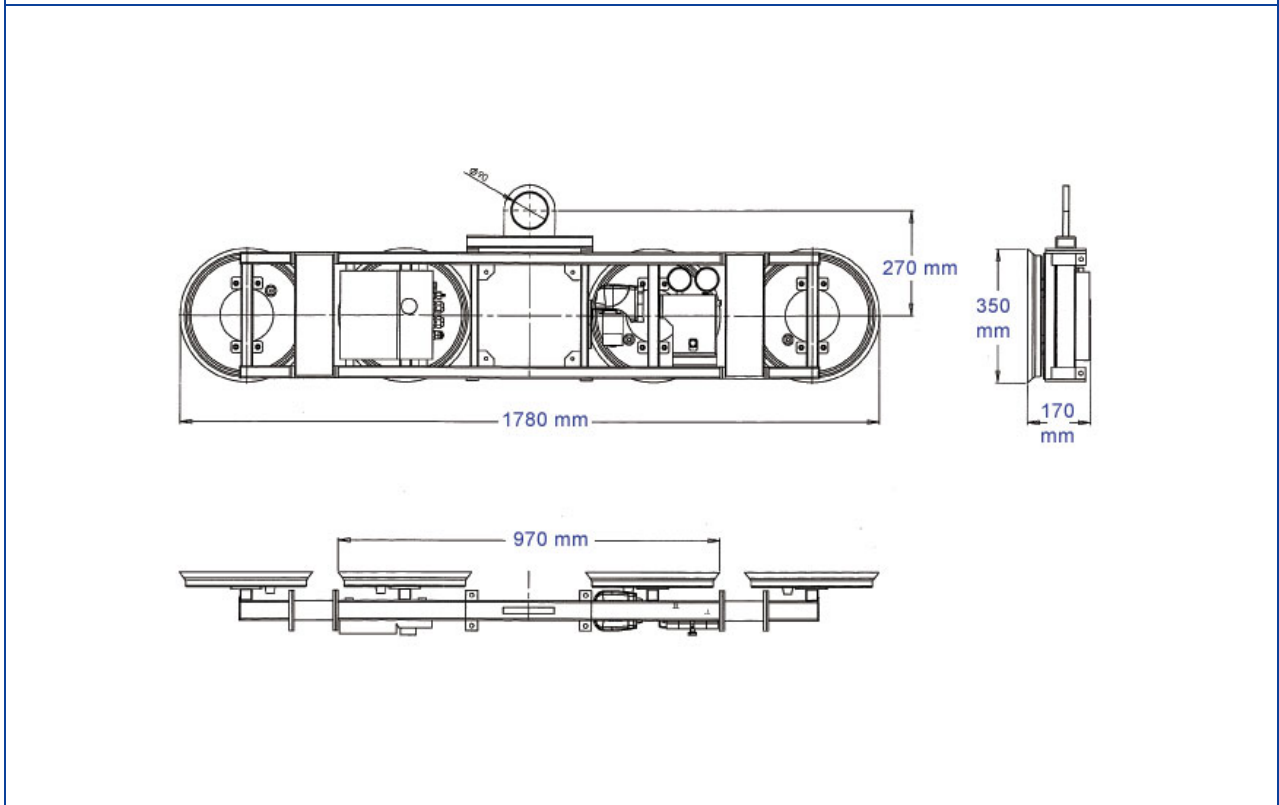
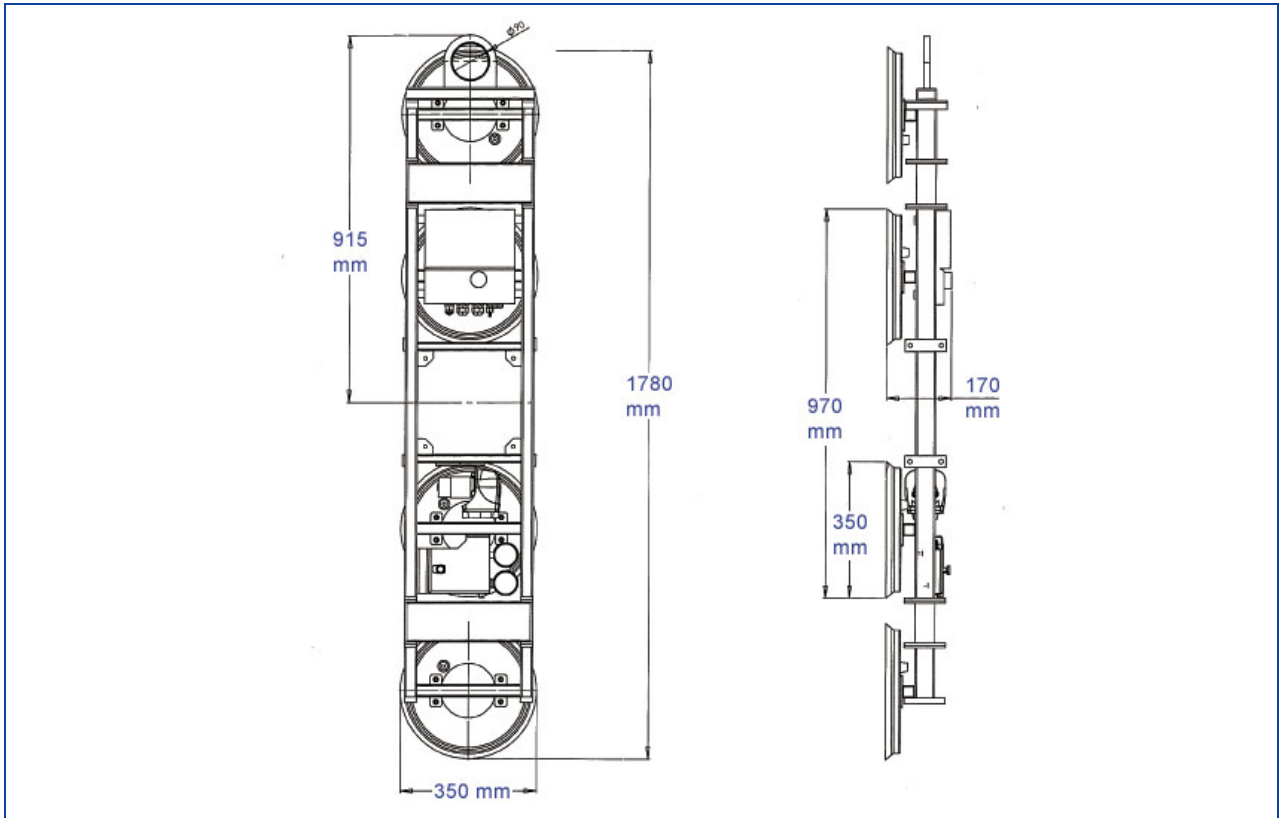
Kombi 7211-DS250 with suction cups 488-K and suspension bar



Kombi 7211-DS250 with suction cups 488-K and suspension bar



Kombi 7211-DS250 with suction cups 488-K and crane eye



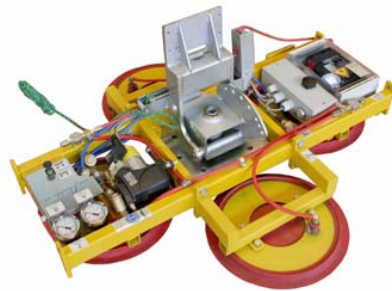
Kombi 7211-DS250 with suction cups 488-K and rope stop suspension



Kombi 7211-DS250 with suction cups 488-K and Assembly lift 4500TS



Kombi 7211-DS250 with suction cups 488-K and fixed suspension



Kombi 7211-DS250 in the transport box

