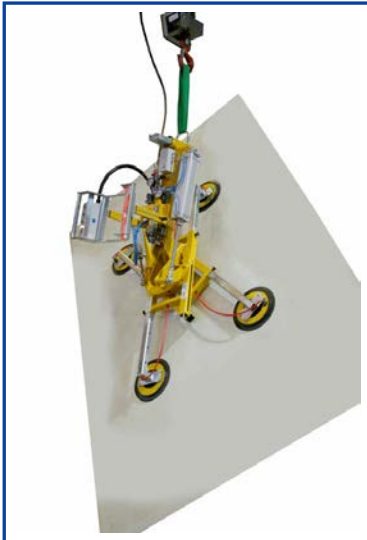






## Manipulation Device 7025-MDS8/E

1-circuit vacuum lifting  
device according to  
EN 13155



	vertical
	horizontal
	turning through 90°
	tilting through 90°

### Description

- **1 circuit vacuum system**
- the vacuum circuit has a vacuum tank with non-return valve, vacuum switch and control vacuum meter
- **completely closed vacuum circuit**  
prevents loss of vacuum at compressed air failure
- **power failure monitoring system**
- acoustic signal  
reports insufficient vacuum/drop in air pressure
- all suction cups lockable individually
- adjustable distance between the suction cups  
via movable carrying bars
- stepless turning through 90°  
with pneumatic cylinder
- stepless tilting through 90°  
with pneumatic cylinder
- length adjustable operating handle
- holder for crane switch

### Vacuum generation

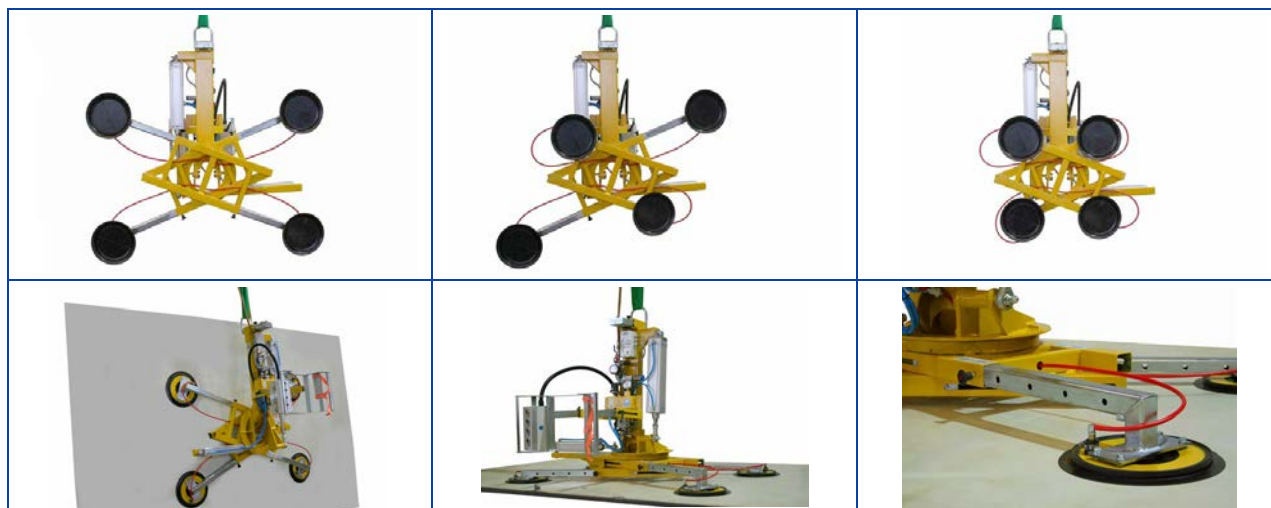
- via built-in suction jet (Venturi)  
for operation at least 6 bars compressed air are necessary
- optional air pressure switching
- optional quick-release function

### Operation

- ON/OFF directly at the device
- SUCTION via a touch valve
- RELEASE via two touch valves
- TURNING via two touch valves
- TILTING via two touch valves

**Suspension:** crane eye at the carrying frame  
**Load capacity :** 350 kg / 400 kg  
**Colour:** yellow / partly zinked

<b>suitable for lifting</b>		
material properties	gas-tight	
surface	smooth	
e. g.	glass panes, sealed units, window and curtain walling elements, plastic and ceramic plates, coated boards	
<b>suction cup type</b>	<b>488-K</b>	<b>388</b>
<b>diameter</b> in action approx. mm	350	300
<b>quality of suction cups</b>	rubber red abrasion possible up to 80° C heat resistant from 3 mm glass thickness	black rubber abrasion possible up to 80° C heat resistant from 4 mm glass thickness
<b>number of suction cups</b>	4	4
<b>safe working load</b> on smooth and clean surface at 60 % vacuum <b>in-company</b> kg	400	350
<b>outer distance of the suction cups</b> min. approx. mm max. approx. mm	850 x 870 1630 x 1180	800 x 820 1580 x 1130
<b>dead weight</b> approx. kg		
<b>air pressure connection</b>	9 mm	
<b>Item No.: 7025-MDS8/E...</b>	<b>488</b>	<b>388</b>
<b>Accessories on request</b>		
<b>Item No.: OPT-DLSpar</b>	air pressure saving switching – saves approx. 50% of the air pressure consumption	
<b>Item No.: OPT-SLF</b>	quick-release function – with full pressure supply	
<b>Item No.: OPT-388TR</b>	device equipped with : mark-free suction cups for coated glass	
<b>Item No.: OPT-388K</b>	device equipped with : softer suction cup for thinner glass	



## Manipulation Device 7025-MDS8/E with suction cups 388

