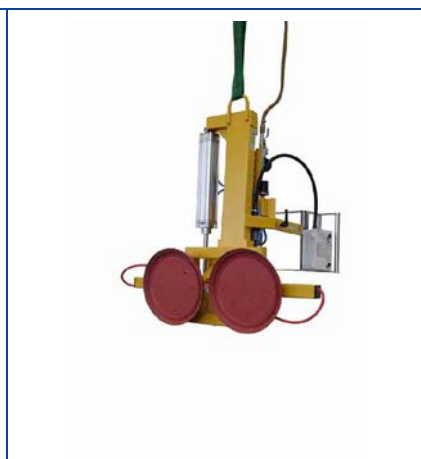
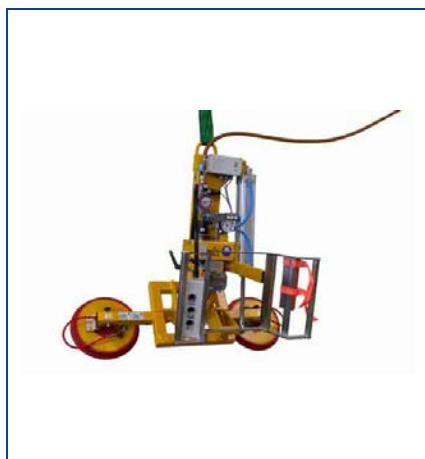
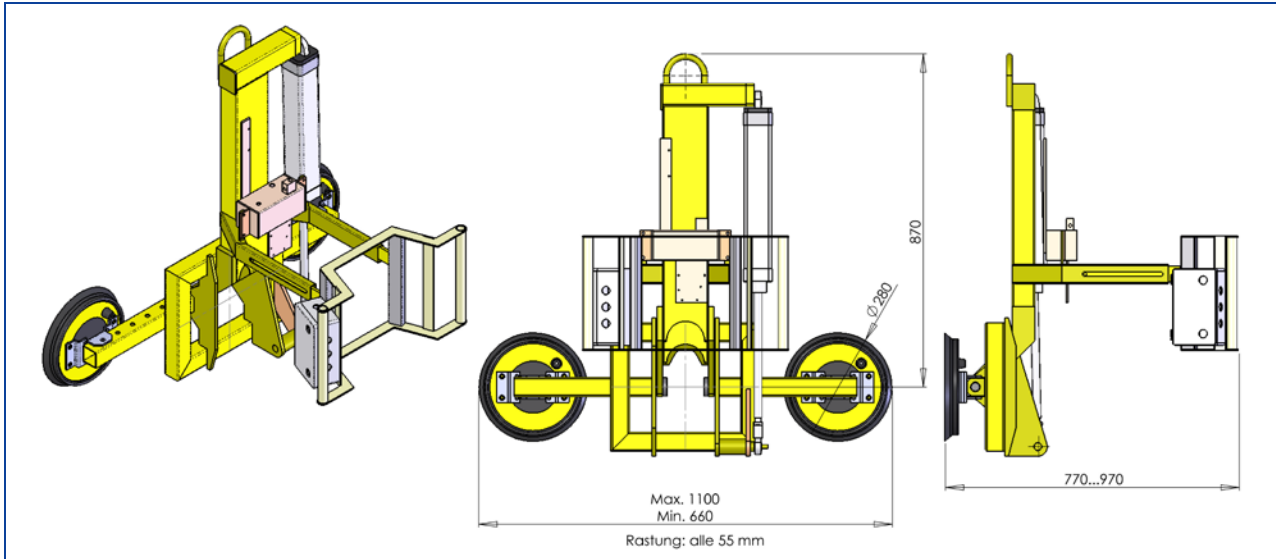


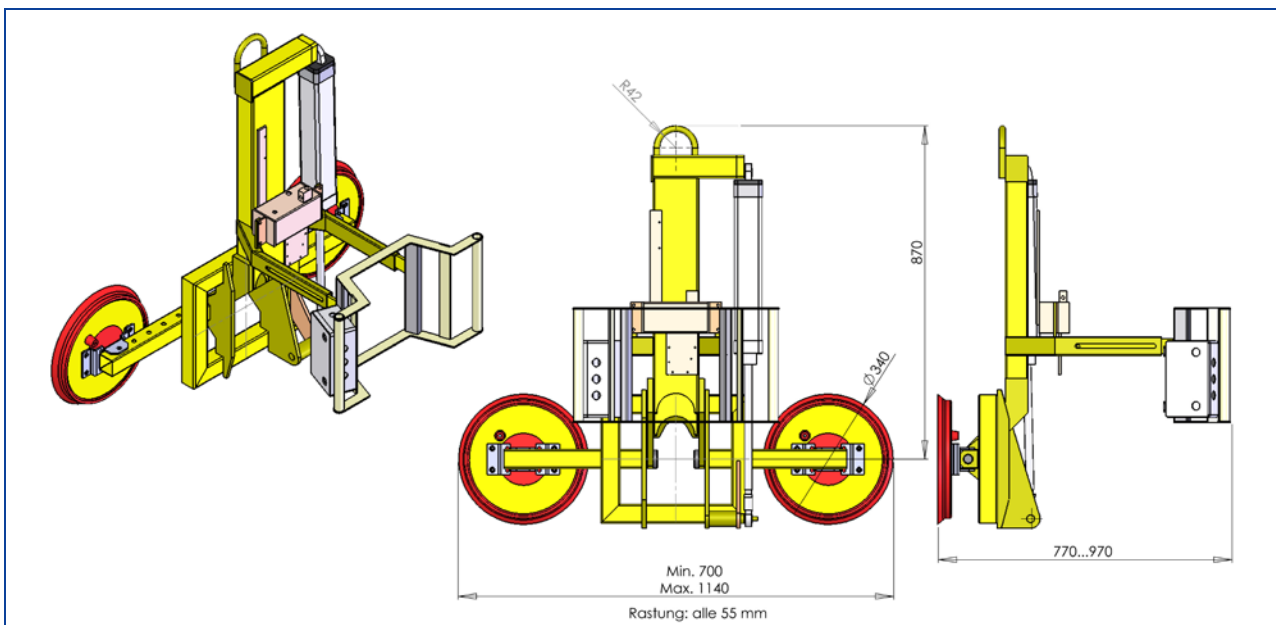
suitable for lifting		
material properties	gas-tight	
surface	smooth	
e. g.	glass panes, sealed units, window and curtain walling elements, plastic and ceramic plates, coated boards	
suction cup type	488-K	388
diameter in action approx. mm	350	300
quality of suction cups	rubber red abrasion possible up to 80° C heat resistant from 3 mm glass thickness	black rubber abrasion possible up to 80° C heat resistant from 4 mm glass thickness
number of suction cups	2	2
safe working load on smooth and clean surface at 60 % vacuum in-company kg	250	200
outer distance of the suction cups		
min approx. mm	700 x 350	660 x 300
max. approx. mm	1140 x 350	1100 x 300
min. with enlargement set approx. mm	720 x 680	720 x 680
max. with enlargement set approx. mm	1050 x 680	1050 x 680
dead weight approx. kg		
air pressure connection	9 mm	
Item No.: 7025-MDS4-2/E...	488	388
Accessories on request		
Item No.: OPT-DLSpar	air pressure saving switching – saves approx. 50% of the air pressure consumption	
Item No.: OPT-SLF	quick-release function – with full pressure supply	
Item No.: OPT-388TR	device equipped with : mark-free suction cups for coated glass	
Item No.: OPT-388K	device equipped with : softer suction cup for thinner glass	
Item No.: 7003-ASH5075	spacer for suction cup holder - 50 mm or 75 mm more distance	
Item No.: 7003-VB4-2	enlargement set (2 pieces)	



Manipulation Device 7025-MDS4-2/E with suction cups 388



Manipulation Device 7025-MDS4-2/E with suction cups 488



Manipulation Device 7025-MS4-2/E with suction cup 388 and enlargement set 7003-VB4-2

