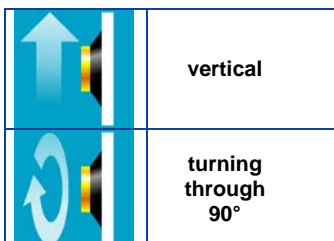
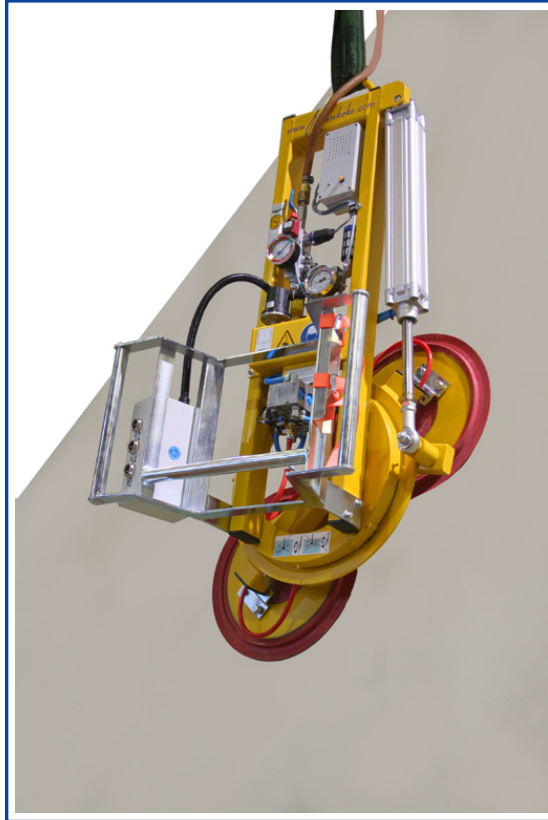


Vacuum Lifter 7025-MD2/E

Single circuit Vacuum Lifting
Device according to EN
13155



Description

- **1 circuit vacuum system**
- the vacuum circuit has a vacuum tank with nonreturn valve, vacuum switch and control vacuum meter
- **completely closed vacuum circuit**
prevents loss of vacuum at compressed air failure
- **power failure monitoring system**
- acoustic signal
reports insufficient vacuum/drop in air pressure
- single-row layout of the suction cups
- Suction cup lockable
- stepless turning through 90°
with pneumatic cylinder
- holder for crane switch

Vacuum generation

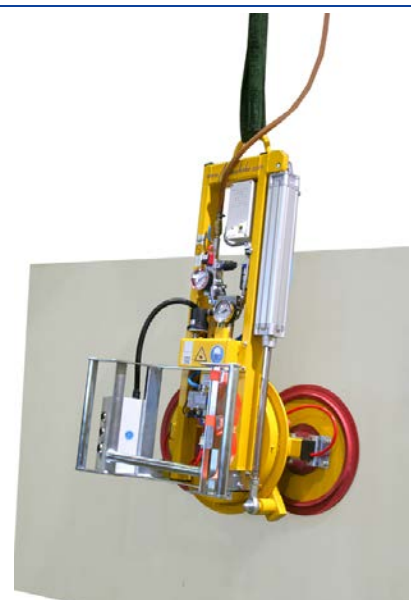
- via built-in suction jet (Venturi)
for operation at least 6 bars compressed air are necessary
- optional air pressure switching
- optional quick-release function

Operation

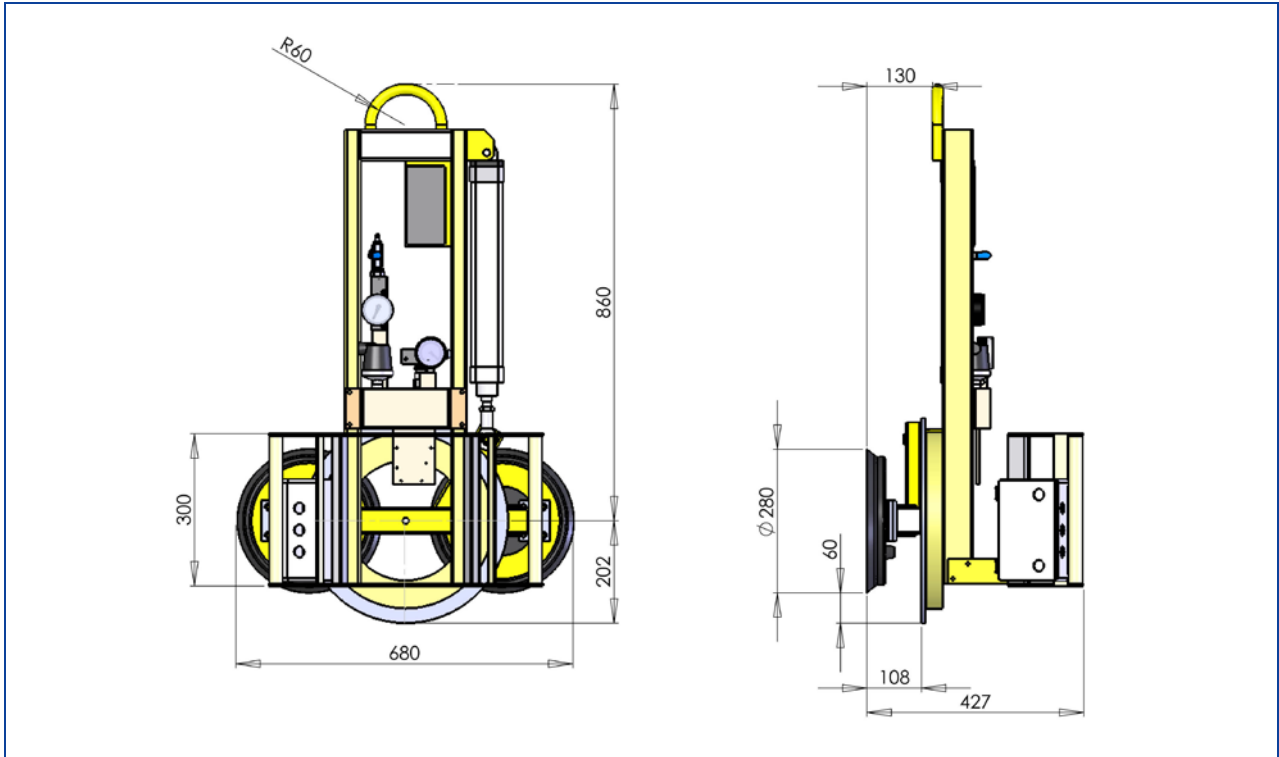
- | | |
|-----------|------------------------|
| • ON/OFF | directly at the device |
| • SUCTION | via a touch valve |
| • RELEASE | via two touch valves |
| • TURNING | via two touch valves |

Suspension: crane eye at the carrying frame
Load capacity : **200kg/250kg**
Colour: yellow / partly zinked

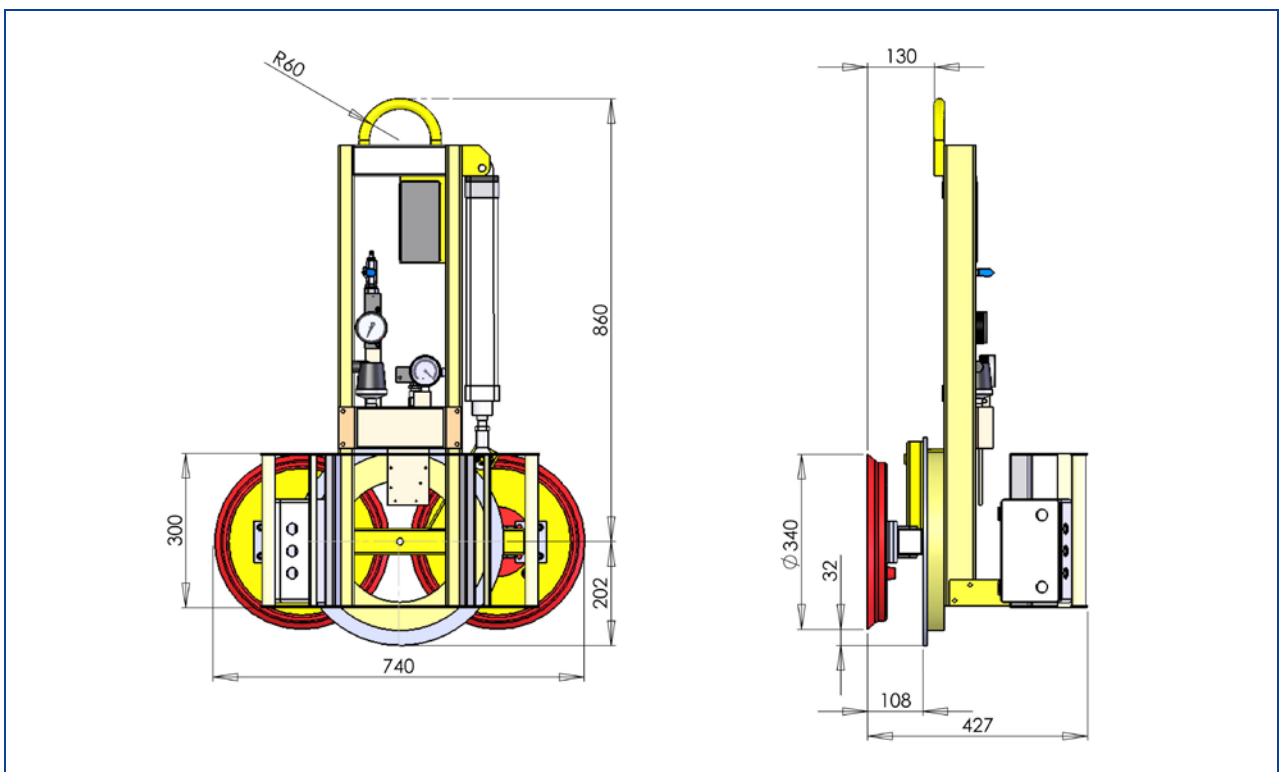
suitable for lifting		
material properties	gas-tight	
surface	smooth	
e.g.	glass panes, sealed units, window and curtain walling elements, plastic and ceramic plates, coated boards	
suction cup type	488-K	388
diameter in action approx. mm	350	300
quality of suction cups	rubber red abrasion possible up to 80° C heat resistant from 3 mm glass thickness	black rubber abrasion possible up to 80° C heat resistant from 4 mm glass thickness
number of suction cups	2	2
safe working load on smooth and clean surface at 60 % vacuum in-company kg	250	200
outer distance of the suction cups approx. mm	740 x 350	680 x 300
dead weight approx. kg		
air pressure connection	9 mm	
Item No.: 7025-MD2/E...	488	388
Accessories on request		
Item No.: OPT-DLSpar	air pressure saving switching – saves approx. 50% of the air pressure consumption	
Item No.: OPT-SLF	quick-release function – with full pressure supply	
Item No.: OPT-388TR	device equipped with : mark-free suction cups for coated glass	
Item No.: OPT-388K	device equipped with : softer suction cup for thinner glass	



Vacuum Lifter 7025-MD2/E with suction cups 388



Vacuum Lifter 7025-MD2/E with suction cups 488





Do you want to learn more?

Use the QR code for the video and you will also learn more about the device.

Or click on the picture.

**Vacuum lifter 7025-MD2/E
in use at the glass grinding shop.**

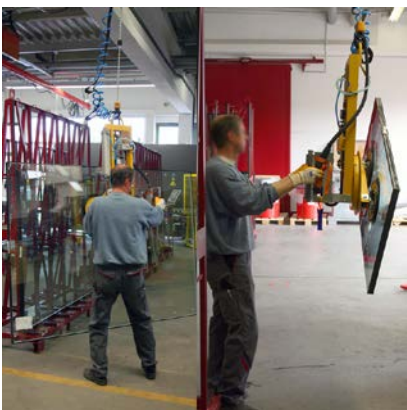


Do you want to learn more?

Use the QR code to see more photos of the device in use and learn about the device.

Or click on the picture.

**Vacuum lifter 7025-MD2/E
in use at the insulation glass unit
production.**



Do you want to learn more?

Use the QR code to see more photos of the device in use and learn about the device.

Or click on the picture.

**Vacuum Lifter 7025-MD2/E
in use at the insulating glass unit
production.**

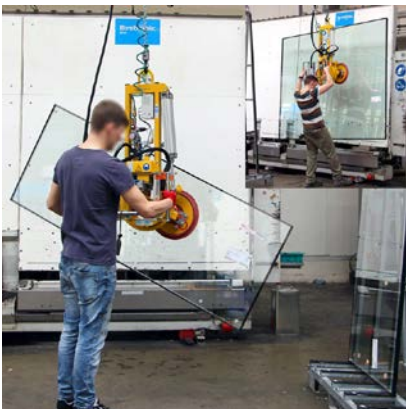


Do you want to learn more?

Use the QR code for the video and you will also learn more about the device.

Or click on the picture.

**Vacuum Lifter 7025-MD2/E
in use at the insulating glass unit
production.**



Do you want to learn more?

Use the QR code for the photos and you will also learn more about the device.

Or click on the picture.

**Vacuum Lifter 7025-MD2/E
in use at the insulating glass unit
production.**

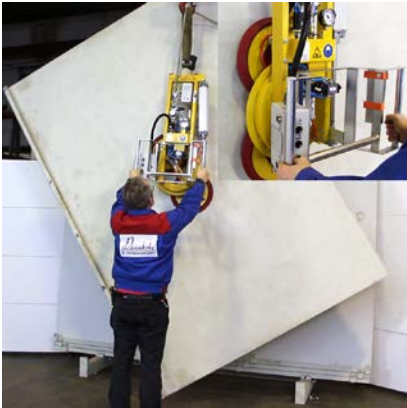


Do you want to learn more?

Use the QR code for the video and you will also learn more about the device.

Or click on the picture.

**Vacuum Lifter 7025-MD2/E
in use at the insulating glass unit
production.**



Do you want to learn more?

*Use the QR code to view the video and
to learn more about the device.*

Or click on the picture.

*Vacuum lifter 7025-MD2/E
in a functional test.*