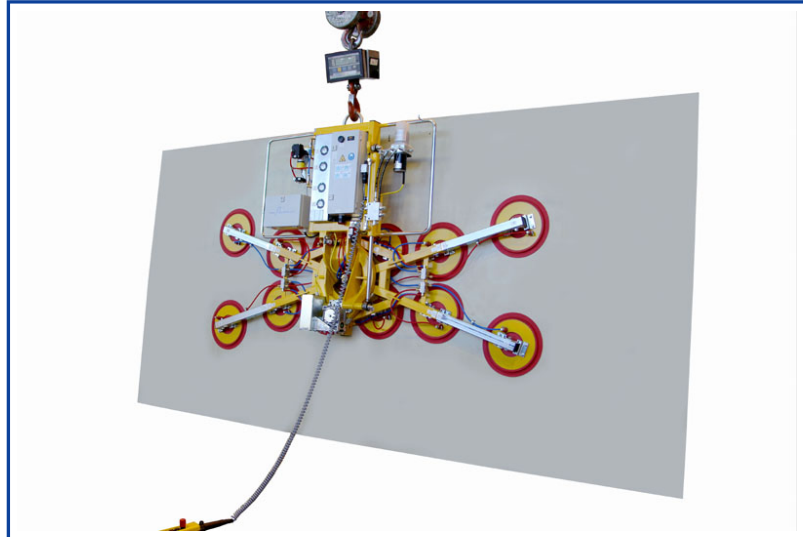


Accu-Device Kombi 7441-DS3H

Developed for construction
site use within the EU
according to EN 13155



hydraulic tilting around maximum 90°
motor-driven turning up to +/-360°

Description

- **increased safety via 4 independent vacuum circuits**
- each vacuum circuit is equipped with a vacuum tank with non-return valve, vacuum switch and control vacuum meter
- **4 completely closed vacuum circuits**
prevent loss of vacuum at power failure
- warning lamp and acoustic signal indicate insufficient vacuum
- extendable to 4 x 3 suction cups
- all suction cups lockable individually
- infinitely variable turning (+ / - 360°)
via electric motor
- stepless tilting through 90°
with hydraulic cylinder
- maximum structural depth 315 mm
- extendable at maximum by 6 extensions





Vacuum generation

- built-in low maintenance rechargeable battery vacuum pump
(dry running system)
- for battery operation with quick-change device for
short battery change times of less than one minute
- battery charger for charging second battery
- no cable - no hose

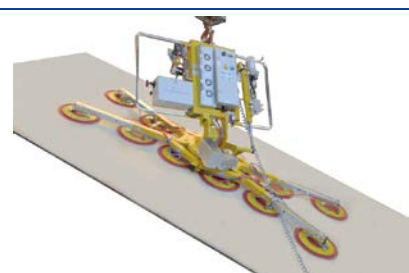
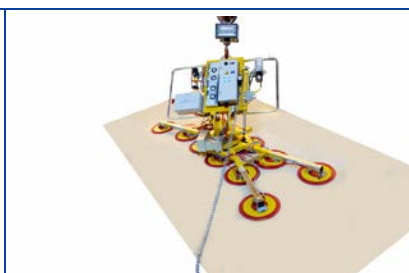
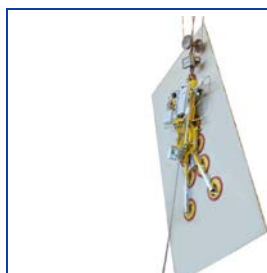
Operation

- ON/OFF directly at the device
- SUCTION/RELEASE via cable remote control
optionally
via radio remote control
- TURNING remote control
- TILTING remote control

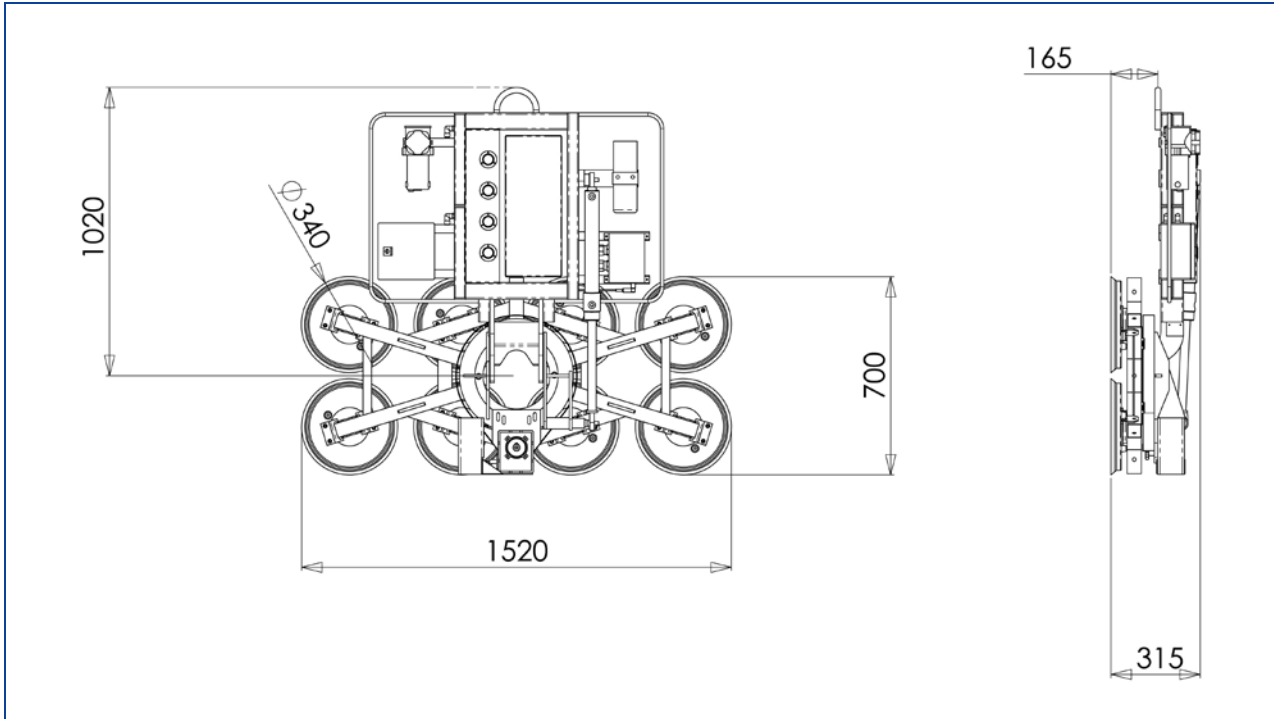
Suspension: crane eye at the carrying frame
Load capacity : 750 kg / 1125 kg
Colour: yellow / partly zinked

	vertical
	horizontal
	turning through +/- 360°
	tilting through 90°

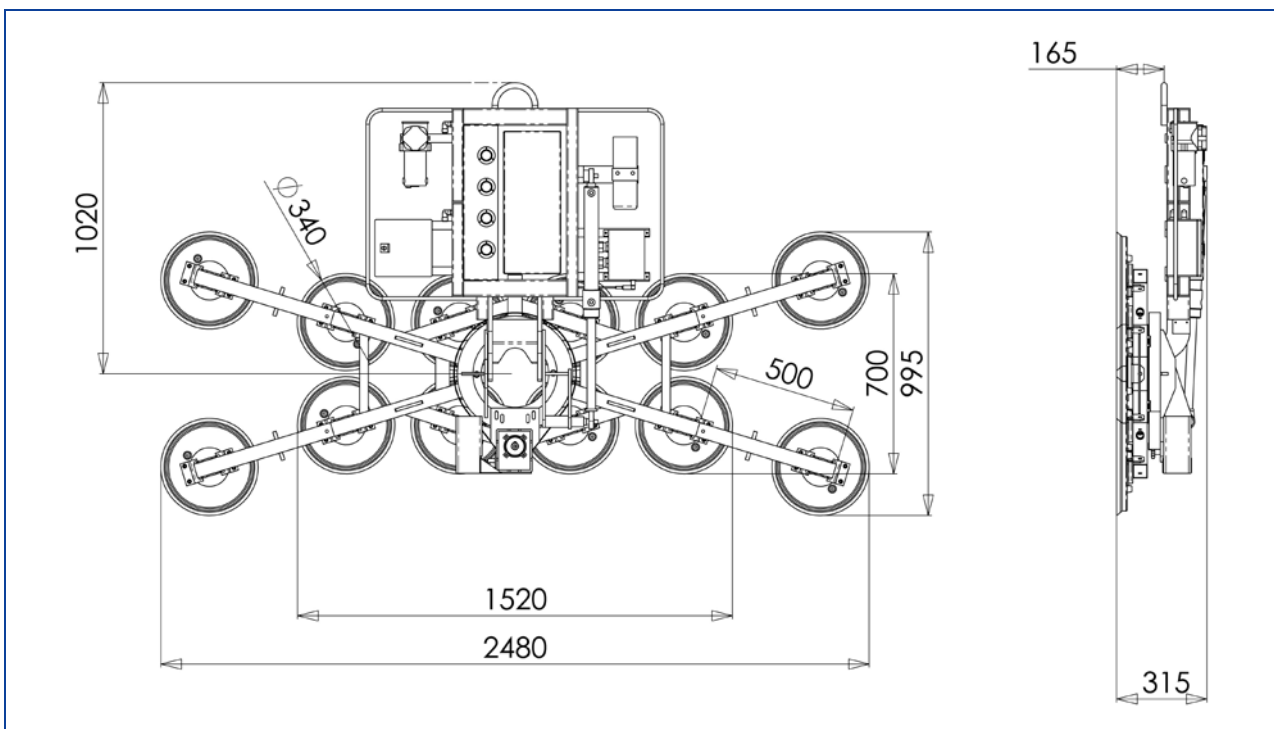
suitable for lifting				
material properties	gas-tight			
surface	smooth			
e.g.	glass panes, sealed units, window and curtain walling elements, plastic and ceramic plates, coated boards			
suction cup type	488-K			
diameter in action approx. mm	350			
quality of suction cups	rubber red abrasion possible up to 80° C heat resistant from 3 mm glass thickness			
number of suction cups	4 x 2	2 x 3 + 2 x 2	4 x 3	2 x 3 + 2 x 4
number of extensions	0	2	4	6
safe working load on smooth and clean surface at 60 % vacuum				
at EC sites kg	750	750	1125	1125
in-company kg	900	900	1125	1125
outer distance of the suction cups approx. mm	720 x 1540	820 x 2770	1080 x 2720	1950 x 2720
dead weight approx. kg	131		157	
distribution voltage charger for battery	110 - 230 V / 50/60 Hz / 1 phase			
Item No.: 7441-DS3H-488...	-08	-10	-12	-14
Accessories on request				
Item No.: 488-SCHUTZ	protection cap for suction cup 488			
Item No.: 7003-VLDS3-488	additional set of extensions - so that the device has 6 extensions			
Item No.: 7003-VLDS3-400mm	additional set of extensions – 2 extensions			
Item No.: 7003-VLDS3-620mm	additional set of extensions – 2 extensions			
Item No.: 7003-GTWDS3	transport carriage for Kombi 7441-DS3H			
Item No.: 7003-WSP	rain cover for transport carriage including Kombi DS3H			
Item No.: 7003-FB-SLS	radio remote control SUCTION/RELEASE / tilting vertical/horizontal			
Item No.: 7403-DSG3-1000	conversion kit for curved material (16 suction cups 388/ 1000 kg / radius 5.0m)			
Item No.: 7403-DSG3-0525	conversion kit for curved material (22 suction cups 540 / 525 kg / radius 2.0m)			



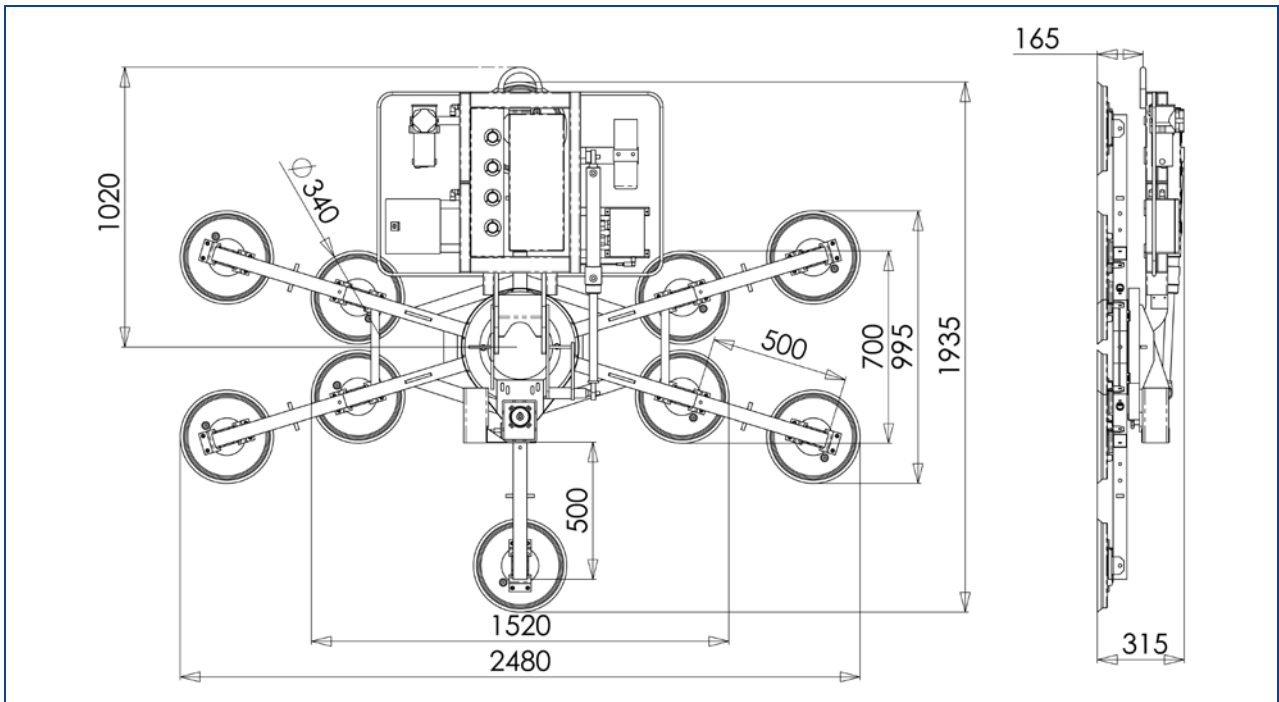
Kombi 7441-DS3H with suction cups 488-K



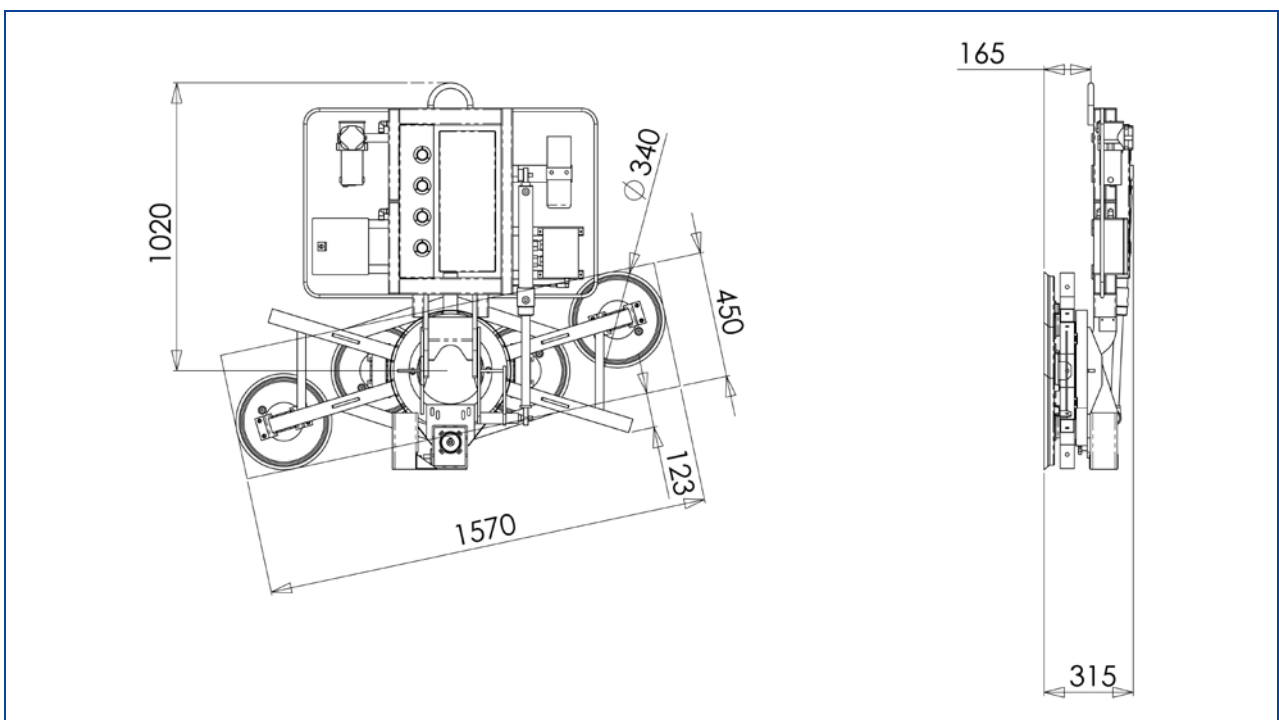
Kombi 7441-DS3H with suction cups 488-K and 4 extensions
Standard version of extension, length 500 mm



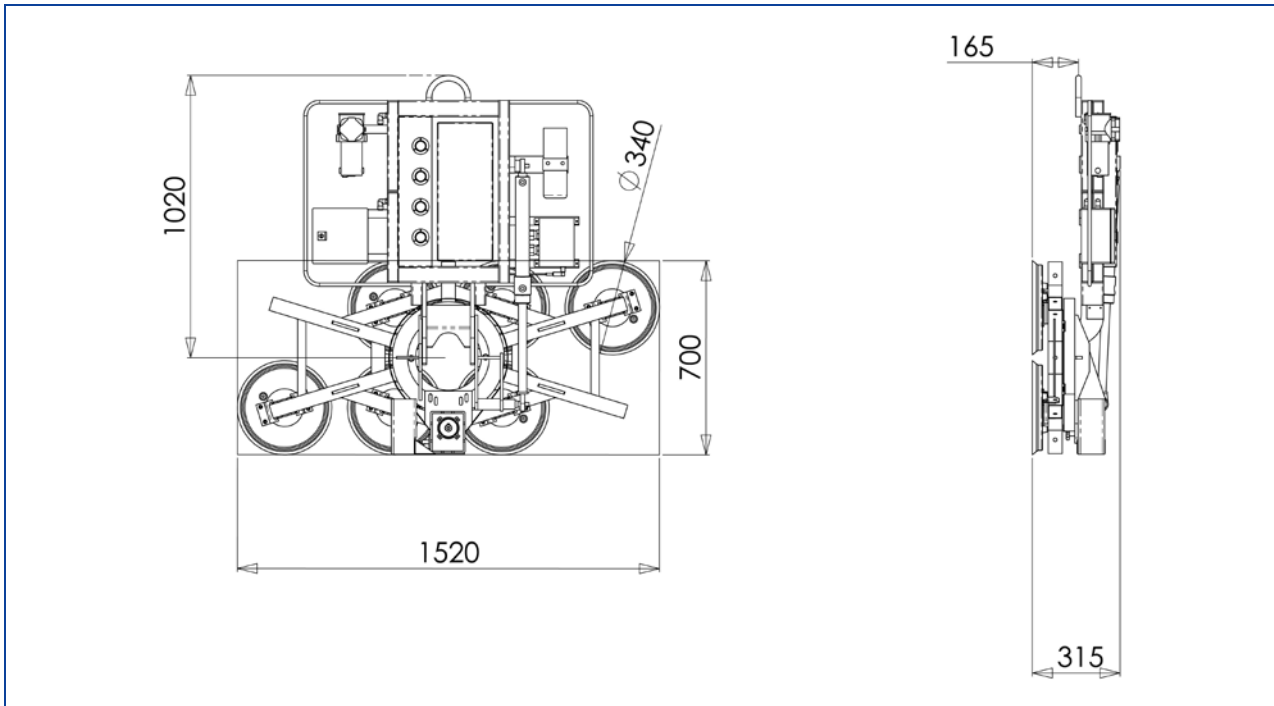
Kombi 7441-DS3H with suction cups 488-K and 6 extensions
Standard version of extension, length 500 mm



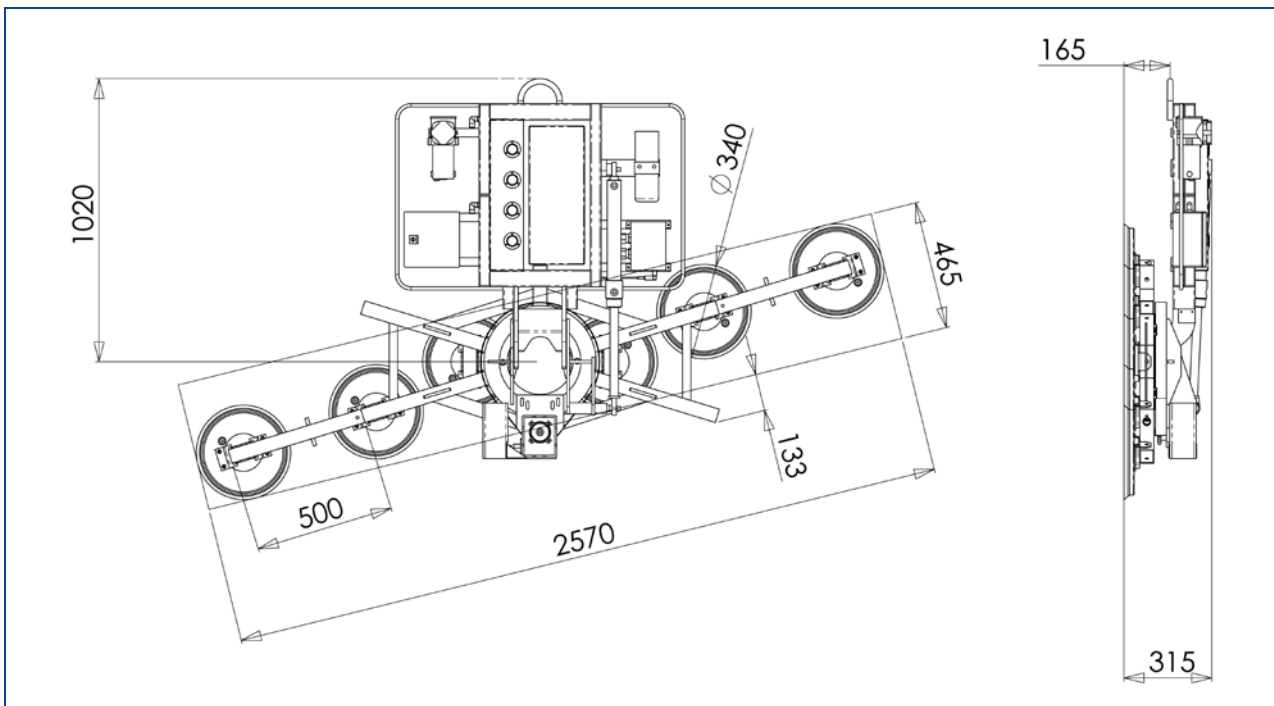
Kombi 7441-DS3H with suction cups 488-K
Special configuration with 4 suction cups on basic frame

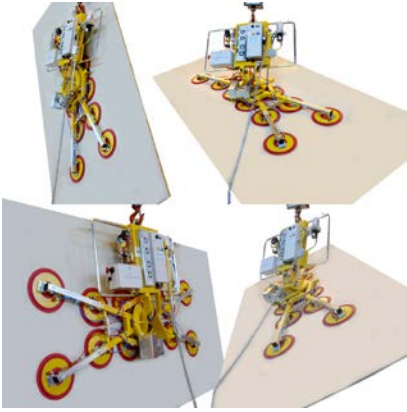


Kombi 7441-DS3H with suction cups 488-K Special configuration with 6 suction cups on basic frame



Kombi 7441-DS3H with suction cups 488-K and 2 extensions Extension, length 500 mm





Do you want to learn more?

Use the QR code for the video and you will also learn more about the device.

Or click on the picture.