

Transport-Lift 7011-DHFW

for intra-plant use according
to EN 13155



**Transport lift with vacuum lifting device
for planar stabilized, vertical lifting and transporting
manual turning through ± 90 degrees**

Description

- easily moveable Transport-Lift for transport of plates on solid ground
- **1 circuit vacuum system**
- the vacuum circuit has a vacuum tank with nonreturn valve, vacuum switch and control vacuum meter
- **completely closed vacuum circuit** prevents loss of vacuum at power failure
- acoustic signal indicates insufficient vacuum
- roll-mounted rotary device with parking brake
- tilt adjustment (0° to 6°) infinitely variable
- lifting height up to 2.4 m (central point of the suction frame)
- suction cup distance adjustable

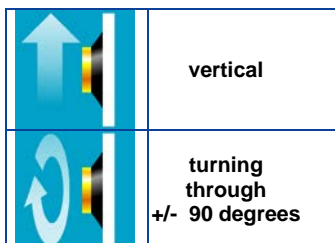
Vacuum generation

- built-in low maintenance rechargeable battery vacuum pump (dry running system)
- for battery operation with battery quick-change system for short exchange times of less than one minute
- battery charger for charging second battery
- no cable - no hose

Operation

- ON/OFF directly at the device
- SUCTION/RELEASE via remote control
via hand valve
- TURNING tackle
lifting movement hand crank or
motor-driven

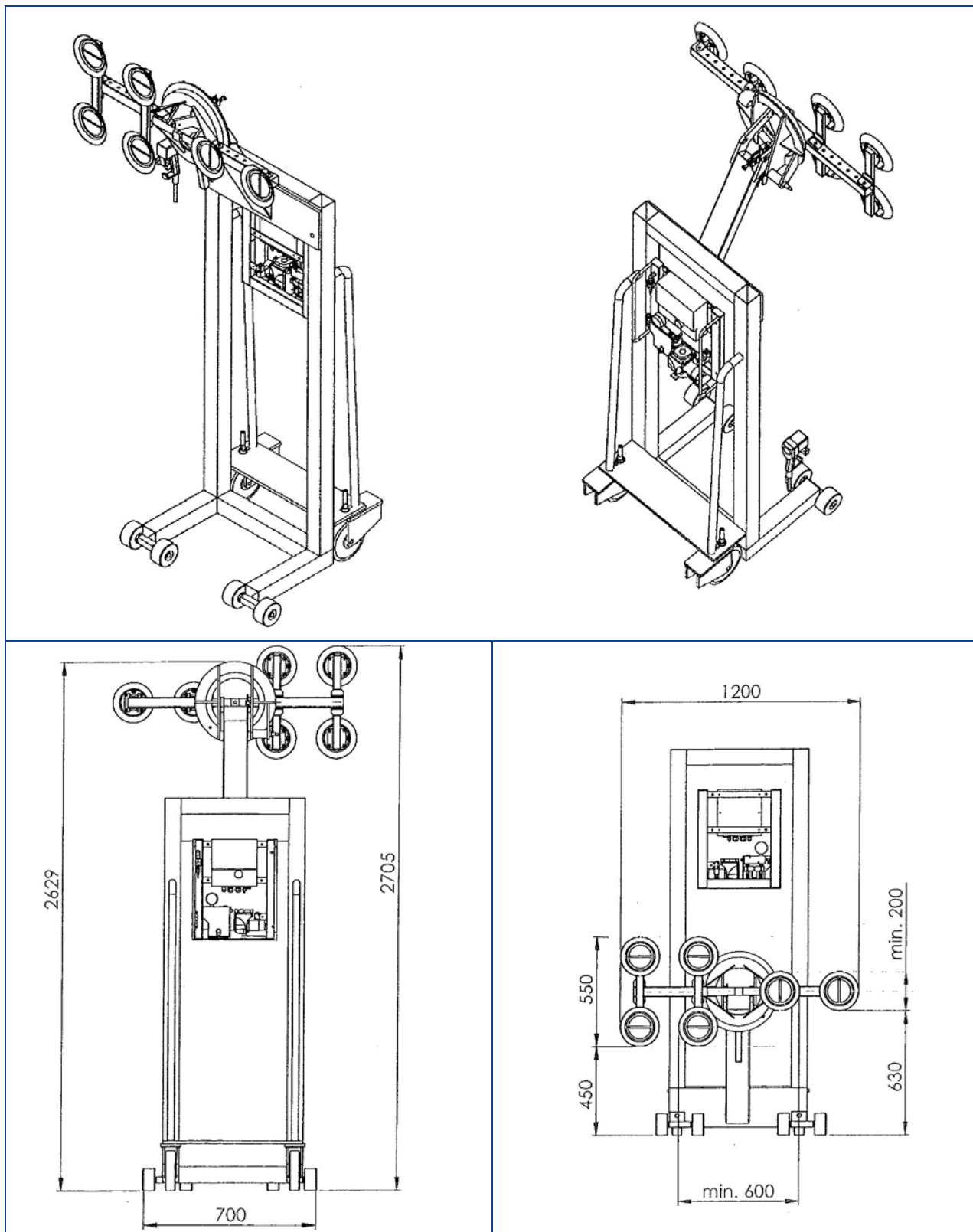
Suspension: crane eye at the carrying frame
Load capacity : **80 kg / 160 kg**
Colour: blue / yellow / partly zinked



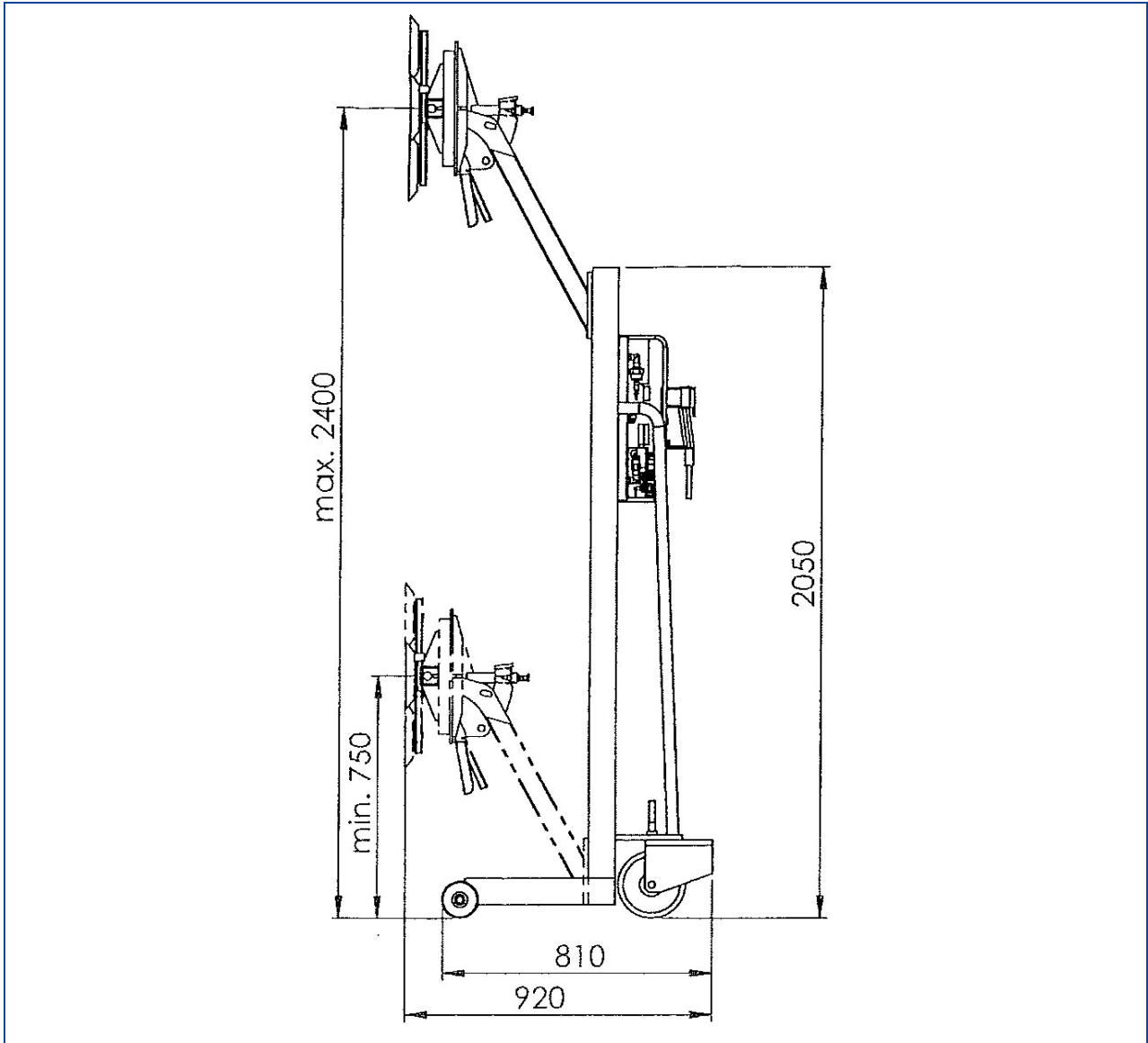
suitable for lifting			
material properties	gas-tight		
surface	smooth		
e.g.	glass panes, sealed units, window and curtain walling elements, plastic and ceramic plates, coated boards		
suction cup type	540		
diameter in action approx. mm	200		
quality of suction cups	black rubber abrasion possible up to 80° C heat resistant from 3 mm glass thickness		
number of suction cups	6	4	4
safe working load on smooth and clean surface at 60 % vacuum in-company kg	160	160	80
outer distance of the suction cups min. approx. mm max. approx. mm	1000 x 550 1200 x 550	600 x 550 1200 x 550	600 x 200 1200 x 200
dead weight approx. kg			
distribution voltage charger for battery	110 - 230 V / 50/60 Hz / 1 phase		
Item No.: 7011-DHFW			
Accessories on request			
Item No.: 540-SCHUTZ	protection cap for suction cup 540		
Item No.: 7003-IFB-2K	infrared remote control SUCTION / RELEASE		
Item No.: 7003-FB-SL-2K	radio remote control SUCTION/RELEASE		



Transport-Lift 7011-DHFW



Transport-Lift 7011-DHFW



Do you want to learn more?

Use the QR code for the video and you will also learn more about the device.

Or click on the picture.