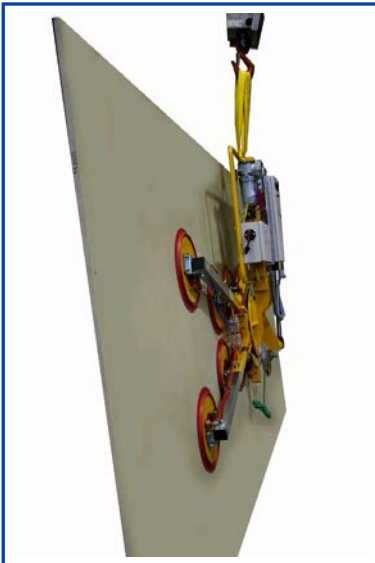
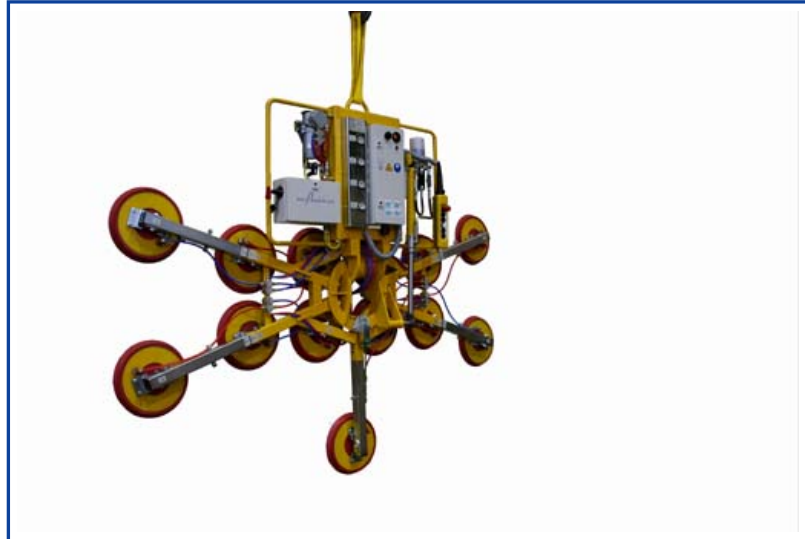






## Accu-Device Kombi 7441-DmS3H

Developed for construction  
site use within the EU  
according to EN 13155



	vertical
	horizontal
	turning through +/- 135° Option: +/- 360°
	tilting through 90°

hydraulic tilting around maximum 90°  
manual turning of up to +/-360°

### Description

- **increased safety via 4 independent vacuum circuits**
- each vacuum circuit has a vacuum tank with non-return valve, vacuum switch and control vacuum meter
- **4 completely closed vacuum circuits**  
prevent loss of vacuum at power failure
- warning lamp and acoustic signal indicate insufficient vacuum
- extendable to 4 x 3 suction cups
- all suction cups lockable individually
- turning device with roller bearings and locking (+90° / 0° / -90°)  
standard: +/- 135°
- stepless tilting through 90°  
with hydraulic cylinder
- **maximum structural depth 280 mm**
- extendable at maximum by 6 extensions

### Vacuum generation

- built-in low maintenance rechargeable battery vacuum pump  
(dry running system)
- for battery operation with quick-change device for  
short battery change times of less than one minute
- battery charger for charging second battery
- no cable - no hose

### Operation

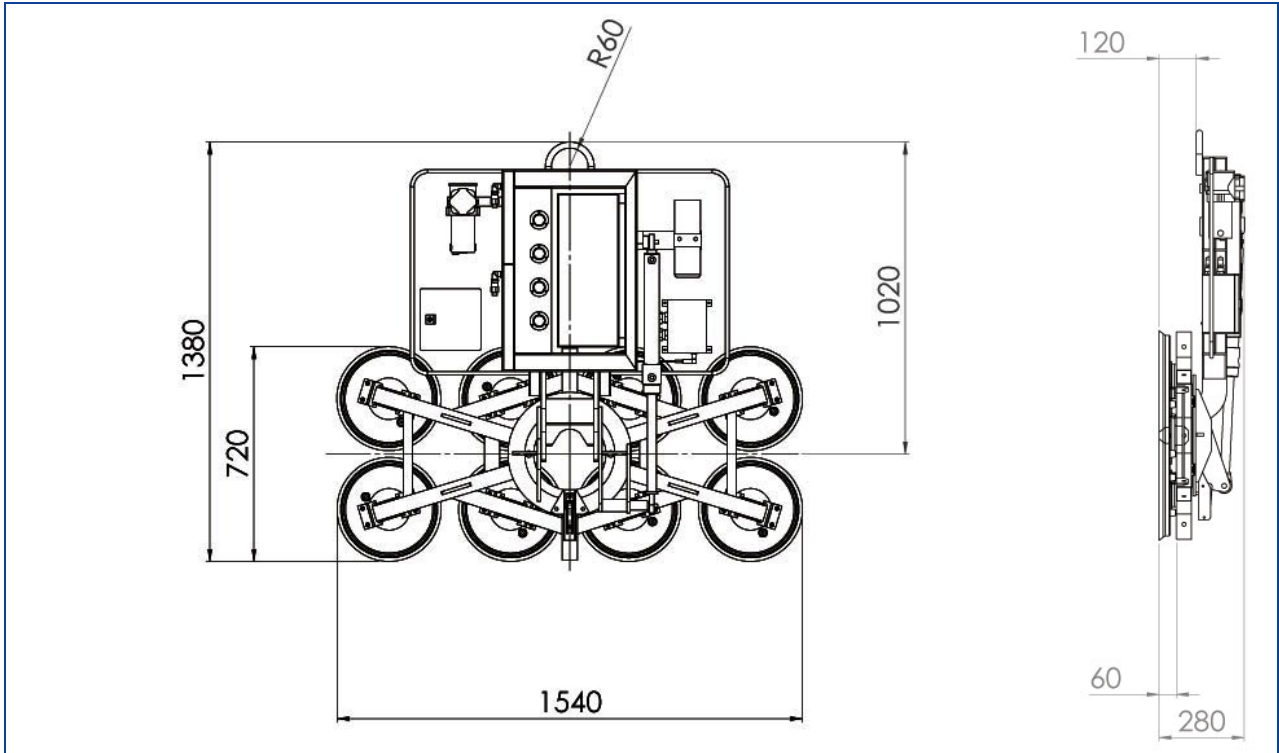
- ON/OFF directly at the device
- SUCTION/RELEASE via cable remote control  
optionally  
via radio remote control
- TURNING tackle
- TILTING remote control

**Suspension:** crane eye at the carrying frame  
**Load capacity :** 750 kg / 1125 kg  
**Colour:** yellow / partly zinked

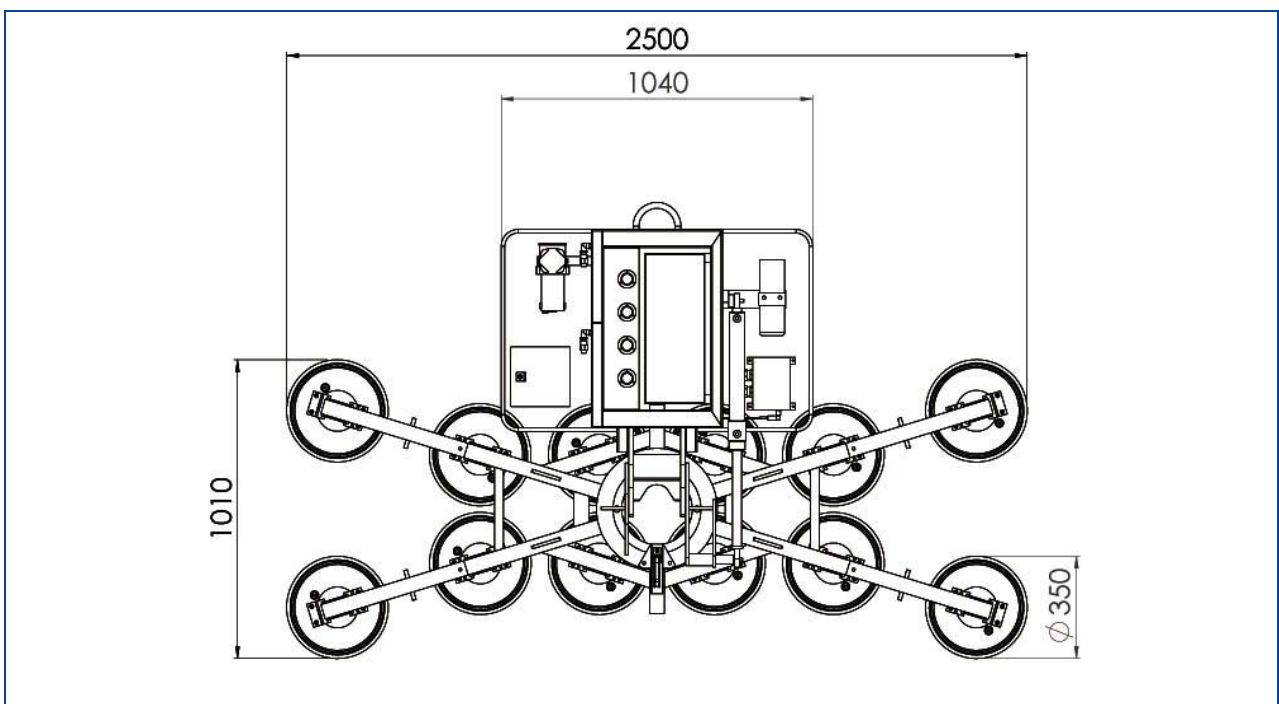
<b>suitable for lifting</b>				
material properties	gas-tight			
surface	smooth			
e. g.	glass panes, sealed units, window and curtain walling elements, plastic and ceramic plates, coated boards			
<b>suction cup type</b>	<b>488-K</b>			
<b>diameter</b> in action approx. mm	350			
<b>quality of suction cups</b>	rubber red abrasion possible up to 80° C heat resistant from 3 mm glass thickness			
<b>number of suction cups</b>	4 x 2	2 x 3 + 2 x 2	4 x 3	2 x 3 + 2 x 4
<b>number of extensions</b>	0	2	4	6
<b>safe working load</b> on smooth and clean surface at 60 % vacuum				
<b>at EC sites</b> kg	750	750	1125	875
<b>in-company</b> kg	900	900	1125	1000
<b>outer distance of the suction cups</b> approx. mm	720 x 1540	1950 x 1540	1010 x 2500	1950 x 2500
<b>dead weight</b> approx. kg				
<b>distribution voltage</b> charger for battery	110 - 230 V / 50/60 Hz / 1 phase			
<b>Item No.: 7441-DmS3H-488...</b>	<b>-08</b>	<b>-10</b>	<b>-12</b>	<b>-14</b>
<b>Accessories on request</b>				
<b>Item No.: OPT-DDF4</b>	device option quadruple rotary transmission leadthrough for turning +/- 360°			
<b>Item No.: 488-SCHUTZ</b>	protection cap for suction cup 488			
<b>Item No.: 7003-VLDS3-488</b>	additional set of extensions - so that the device has 6 extensions			
<b>Item No.: 7003-GTWDS3</b>	transport carriage for Kombi 7441-DmS3H			
<b>Item No.: 7003-WSP</b>	rain cover for transport carriage including Kombi DmS3H			
<b>Item No.: 7003-FB-SLS</b>	radio remote control SUCTION/RELEASE / tilting vertical/horizontal			
<b>Item No.: 7403-DSG3-1000</b>	conversion kit for curved material (16 suction cups 388/ 1000kg / radius 5.0m)			
<b>Item No.: 7403-DSG3-0525</b>	conversion kit for curved material (22 suction cups 540 / 525kg / radius 2.0m)			



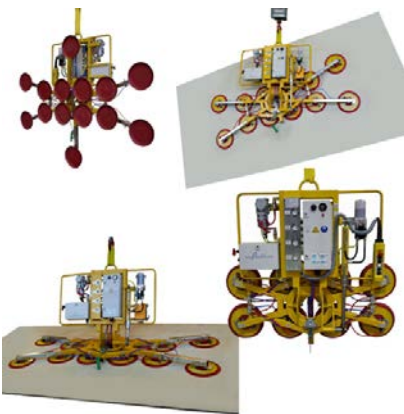
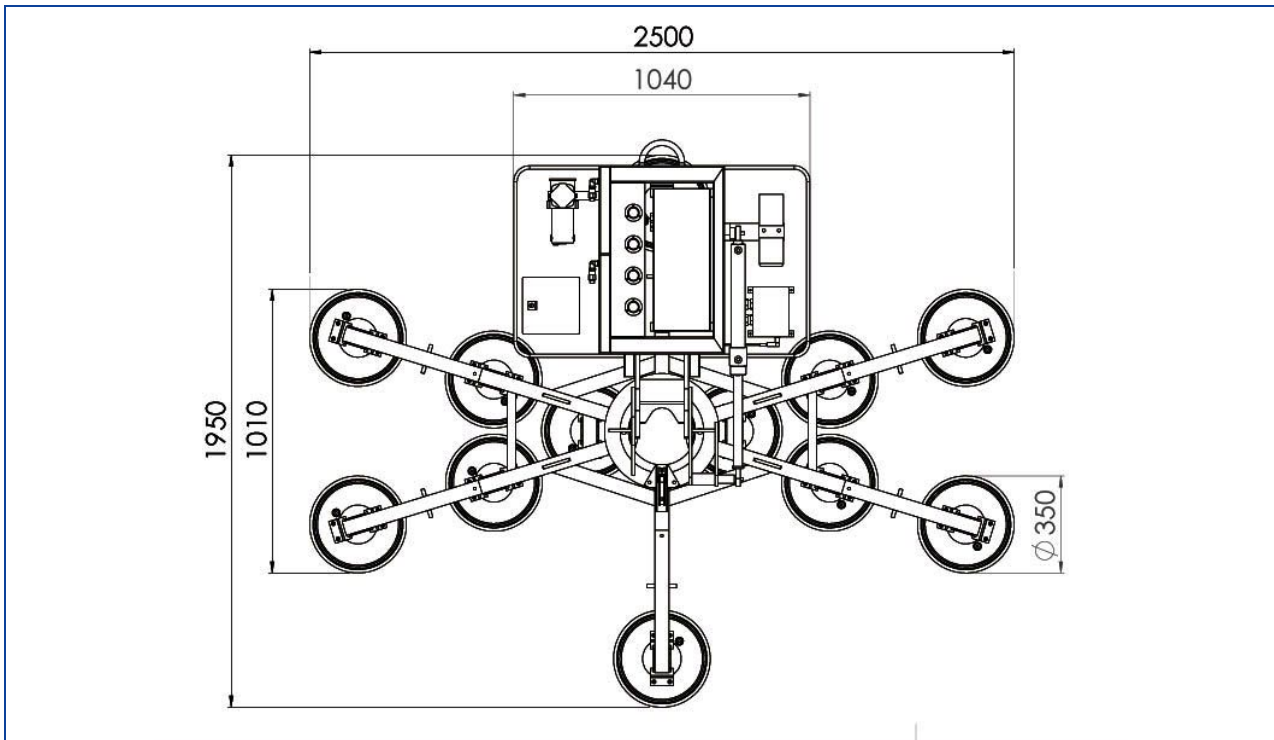
Kombi 7441-DmS3H with suction cups 488-K



Kombi 7441-DmS3H with suction cups 488-K and 4 extensions



## Kombi 7441-DmS3H with suction cups 488-K and 4 extensions



**Do you want to learn more?**

**Use the QR code for the video and you will also learn more about the device.**

**Or click on the picture.**



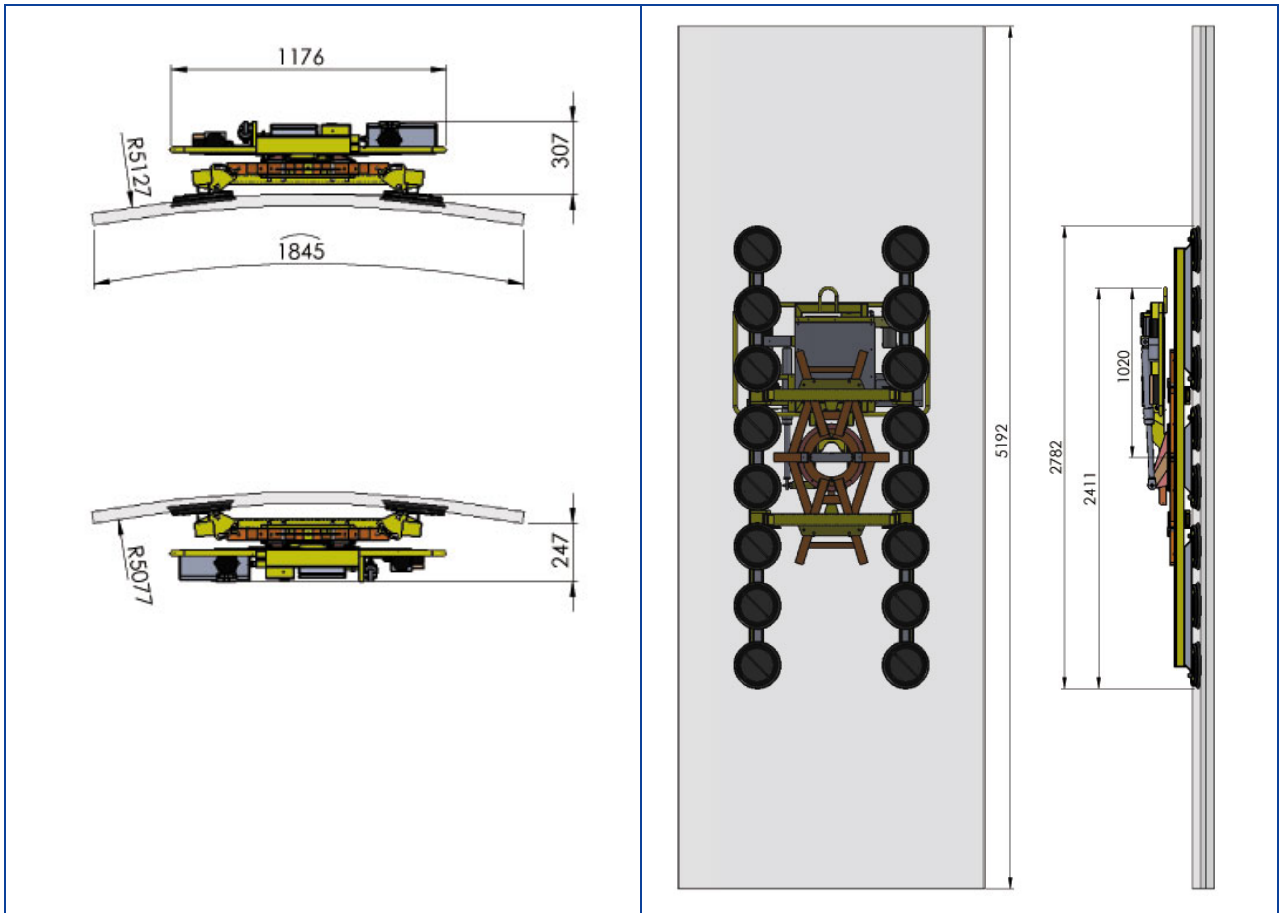
**Do you want to learn more?**

**Use the QR code for the video and you will also learn more about the device.**

**Or click on the picture.**

**The Kombi 7441-DmS3H in operation.**

## Kombi 7441-DmS3H with conversion kit 7403-DSG3-1000 for curved material from a radius of 5m





## Kombi 7441-DmS3H with conversion kit 7403-DSG3-0525 for curved material from a radius of 2m

